

Technische Daten/ Technical Data

KLUDI-PUSHTRONIC

electronic concealed thermostatic fitting
pre-installation set with trim set
DN 15

Ref.: 3830053-00

Finishes:
53 matt white

Product description

Manufacturer KLUDI GmbH & Co. KG

Typ: KLUDI-PUSHTRONIC

electronic concealed thermostatic fitting
pre-installation set with trim set

Ref.: 3830053-00

electronic concealed thermostatic fitting
pre-installation set with trim set
electronic mixing unit IP54
wall or ceiling mounted (protection area 3)
revision shaft necessary
electric power supply via 230V main adapter
operation via trim set
connection between pre-installation set and trim set via cable
CE marking
with WIFI module
with option for APP control
connection cold water G1/2 / hot water G1/2
connection of 1 or 2 consumers (G1/2) possible
simultaneous use of 2 consumers possible
flow rate max. at 3 bar ...
outlet 1= 6 l/min.- 18 l/min.
outlet 2= 6 l/min.- 18 l/min.
outlet 1+2= 12 l/min.- 20 l/min.
sieve seals included
protected against back flow
safety function at 38°C
temperature limitation to 44°C
thermal disinfection max. 70°C possible
start-temperature individually adjustable via APP
start-flow rate individually adjustable via APP
"warm-up" function via APP
maximum shower time: 1 min. to 20 min. adjustable via app
warm-up memory for up to 3 users via app

electronic panel IP65

to control temperature and flow rate

1 x rotary and push button for temperature setting

2 x rotary and push button for volume setting and on/off

wall mounted

concealed plastic housing

with additional sealing sleeve

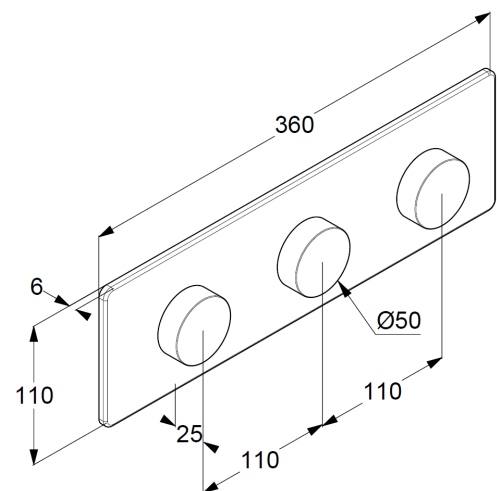
sealing according to DIN 18534

power supply 12 volts (cable from water connection box)

Produktabbildung/ Product picture



Maßzeichnung/ Dimensional drawing



Durchfluss/ Flow rate

