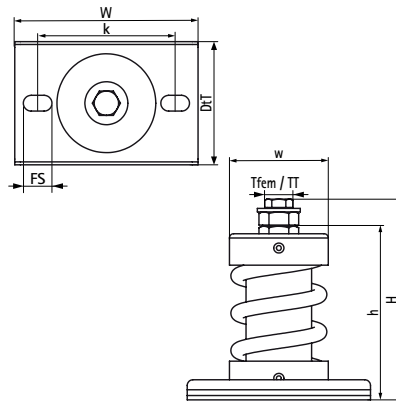


Walraven VibraTek® MS-1X-CBL Spring Mount

(L20533)

high performance spring isolator for use with A-L1 welding bracket and concrete inertia base frames



Features & benefits

- recommended for machinery with low working speeds above 600 rpm
- flexible internal filler prevents debris and solid elements entering and damaging the spring under load
- ribs in the metal base provide increased stiffness
- slot holes facilitate positioning and anchoring to the base material
- epoxy powder-coated base, caps and springs provide increased resistance to corrosion
- average ratio $K_x / K_z = K_y / K_z = 0.7$
- working temperature range -90 °C till 150 °C

Product Number	Female Thread	Thread Type	Total Width x Total Height x Total Depth	Height	Width	Fixing Slot	Heart To Heart Distance	Recommended Minimum Load Faz	Recommended Maximum Load Faz	Maximum Static Deflection
<i>Reference letter</i>	<i>Tfem</i>	<i>TT</i>	<i>W x H x Dt</i>	<i>h</i>	<i>w</i>	<i>FS</i>	<i>k</i>			<i>25</i>
<i>Unit description</i>			<i>mm x mm x mm</i>	<i>mm</i>	<i>mm</i>	<i>mm</i>	<i>mm</i>	<i>N</i>	<i>N</i>	<i>mm</i>
2801901000	M10	Metric	128 x 141 x 86	121	69	20x11	96	200	920	25
2801901250	M10	Metric	128 x 141 x 86	121	69	20x11	96	250	1,150	25
2801901500	M10	Metric	128 x 141 x 86	121	69	20x11	96	300	1,380	25
2801902000	M10	Metric	128 x 141 x 86	121	69	20x11	96	400	1,840	25
2801903000	M10	Metric	128 x 141 x 86	121	69	20x11	96	600	2,760	25
2801904000	M10	Metric	128 x 141 x 86	121	69	20x11	96	800	3,680	25
2801905000	M10	Metric	128 x 141 x 86	121	69	20x11	96	1,000	4,600	25
2801906000	M10	Metric	128 x 141 x 86	121	69	20x11	96	1,200	5,520	25