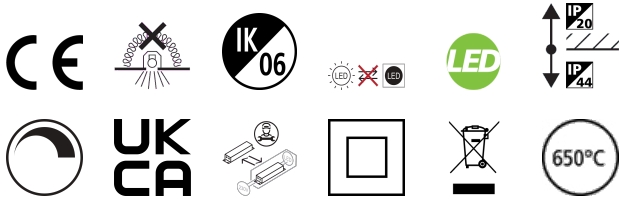


# START Downlight Flat 205 IP44 1750LM 840 DIM

Item No: 0054123

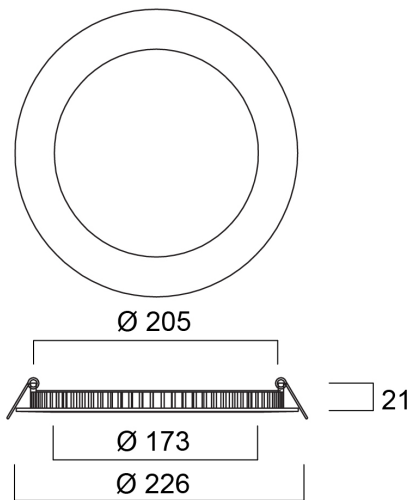
**SYLVANIA**

**START**



## Technical Assets

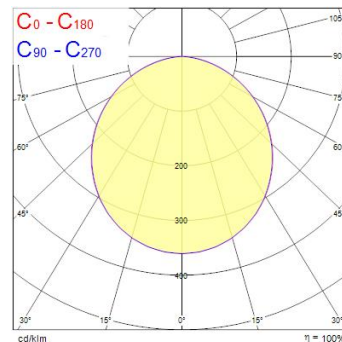
### Dimensions (mm)



### Photometrics

Distance [m]	Cone diameter [m]	E10'	E15'	E20'	E30'
0.5	1.41	258	147	244	239
	1.43				
1.0	2.82	691	147	61	60
	2.86				
1.5	4.24	281	147	27	27
	4.28				
2.0	5.65	155	147	15	15
	5.71				
2.5	7.06	101	147	10	10
	7.14				
3.0	8.47	70	147	7	7
	8.57				

Distance [m]      Cone diameter [m]      Illuminance [lx]  
 — C0 - C180 (Half beam angle: 110.0°)  
 — C90 - C270 (Half beam angle: 105.4°)



# START Downlight Flat 205 IP44 1750LM 840 DIM

Item No: 0054123

**SYLVANIA**

## General data

Product name	START Downlight Flat 205 IP44 1750LM 840 DIM
Technology	LED
Cap/Base	N/A
Housing	Aluminium
Mount	Ceiling recessed mounting
General application	Hospitality
Operating temperature range (°C)	-20°C...+40°C
Performance ambient temperature Tq (°C)	25
ETIM Class	EC001744
E-number FI	4278499
Warranty	5 years

## Optical data

Useful luminous flux (Φuse)	1750
Fixture luminous flux (lm)	1750
Luminaire efficacy (lm/W)	103
Correlated colour temperature (k)	4000
Light colour	Cool White
CRI (Ra)	80
Colour Variation Initial (SDCM)	SDCM3
Beam Angle (°)	120
Distribution type	Symmetric
Glare control	< 28
Photobiological Risk Group	RG0

## Electrical data

Total power consumption (W)	17
Primary Supply/Product voltage - min (V)	220
Lamp power factor	0.9
Electrical protection	Class II
Control gear required	No
Control gear type	LED driver constant current
Dimming method	Mains: leading / trailing edge
Drive current (mA)	450
Inrush Current (A)	4.16
Inrush Duration (µs)	112
Energy Efficiency Class (A->G) of contained light source	D
Nominal Frequency (Hz)	50Hz
LED Flickering Rate	Ultra low (5% or less)
Max. products per 10A C Breaker	67
Max. products per 13A C Breaker	87
Max. products per 16A C Breaker	107
Max. products per 20A C Breaker	133
Max. products per 20A B Breaker	133
Connectable conductor cross section - Min (mm <sup>2</sup> )	0.75
Connectable conductor cross section - Max (mm <sup>2</sup> )	1.5

## Lifetime data

Lifespan L70 B50	78000
Lifespan L80 B20	43000
Lifespan L80 B10	42000
Lifespan L90 B10	23000

# START Downlight Flat 205 IP44 1750LM 840 DIM

Item No: 0054123

**SYLVANIA**

## Physical data

Housing colour	RAL 9003 - Signal white
IP rating	IP44/20
IK rating	IK06
Diffuser finish	Opal
Diffuser material	PS Polystyrene
Reflector finish	Not Applicable
Nominal Product Height (mm)	21
Nominal Product Diameter (mm)	226
Built-in diameter (mm)	205
Weight (kg)	0.546

## Packaging

Product EAN number	5410288541235
Packaging single width (cm)	5.0
Packaging single depth (cm)	23.3
DUN14 (inner)	15410288541232
Packaging outer length / height (cm)	53.3

## Safety data

Glow Wire Test (°C)	650
Optimal operating condition (°C)	-20-40