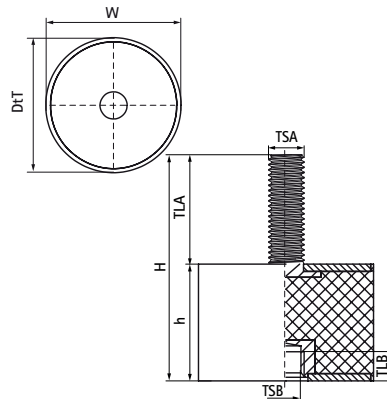


Walraven VibraTek® SB-MF Silentblock

(L20563)

a rubber silentblock with an external and internal thread



Features & benefits

- a universal rubber absorber, ideal for use with all kinds of elastic suspension or mounting of equipment
- ideal for use with machinery and equipment mounted on metallic surface
- with a male and female thread
- for use in compression only
- working temperature range -30 °C till 80 °C

Product Number	VVS Number	Thread Size A	Thread Size B	Thread Length A	Thread Length B	Total Height	Total Width	Total Depth	Height	Maximum Allowed Load Faz
Reference letter		TSA	TSB	TLA	TLB	H	W	DtT	h	F _{0,2}
Unit description				mm	mm	mm	mm	mm	mm	N
2801500181	018093401	M8	M8	23	8	43	20	20	20	180
2801500291	018093402	M8	M8	23	8	43	25	25	20	290
2801500420	018093404	M8	M8	23	8	48	30	30	25	420
2801500750	018093407	M8	M8	23	8	63	40	40	40	750
2801501170	018093411	M10	M10	28	8	68	50	50	40	1,170
2801501690	018093416	M12	M12	37	10	77	60	60	40	1,690