

Technical data sheet

Side closure, SL GTSA5070 device support

Item number: 6132234



Side end piece for the side closing of the device support.



PVC Polyvinylchloride

Master data

| | |
|------------------------------------|----------------------------|
| Item number | 6132234 |
| Type | SL GTSA5070 rws |
| Description 1 | End joint for mounting box |
| Description 2 | SL 9010 right + left |
| Manufacturer | OBO |
| Colour | Pure white; RAL 9010 |
| Material | Polyvinylchloride |
| Smallest sales unit | 10 |
| Unit of quantity | Piece |
| Weight | 0.32 kg |
| Weight unit | kg/100 pc. |
| CO2 Footprint (GWP) Cradle-to-Gate | 0,0206 kg CO2e / 1 Piece |

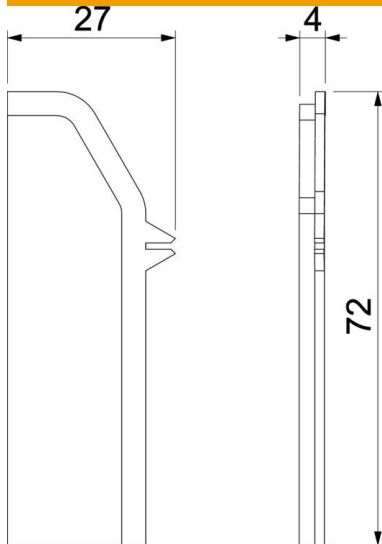
Technical data sheet

Side closure, SL GTSA5070 device support

Item number: 6132234



Dimensions



| | |
|--------|-------|
| Length | 4 mm |
| Width | 27 mm |
| Height | 72 mm |

Technical data

| | |
|-----------------------------------|-------|
| Halogen-free | no |
| Protection rating | IP40 |
| Protective film | no |
| Protection rating IK code | IK06 |
| Permitted temperature range, max. | 60 °C |
| Permitted temperature range, min. | -5 °C |