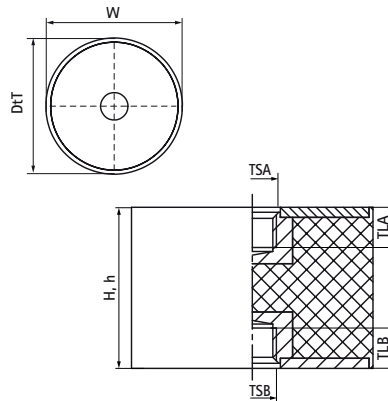


Walraven VibraTek® SB-FF Silentblock

(L20566)

a rubber silentblock with two internal threads



Features & benefits

- a universal rubber absorber, ideal for use with all kinds of elastic suspension or mounting of equipment
- ideal for use with machinery and equipment mounted on metallic surface
- with two female threads
- for use in compression only
- working temperature range -30 °C till 80 °C

| Product Number | Thread Size A | Thread Size B | Thread Length A | Thread Length B | Total Height | Total Width | Total Depth | Height | Maximum Allowed Load Faz |
|-------------------------|---------------|---------------|-----------------|-----------------|--------------|-------------|-------------|-----------|--------------------------|
| <i>Reference letter</i> | <i>TSA</i> | <i>TSB</i> | <i>TLA</i> | <i>TLB</i> | <i>H</i> | <i>W</i> | <i>DeT</i> | <i>h</i> | <i>F_{a,z}</i> |
| <i>Unit description</i> | | | <i>mm</i> | <i>mm</i> | <i>mm</i> | <i>mm</i> | <i>mm</i> | <i>mm</i> | <i>N</i> |
| 2801600420 | M8 | M8 | 8 | 8 | 25 | 30 | 30 | 25 | 420 |
| 2801600750 | M8 | M8 | 8 | 8 | 40 | 40 | 40 | 40 | 750 |
| 2801601170 | M10 | M10 | 8 | 8 | 40 | 50 | 50 | 40 | 1,170 |
| 2801601690 | M12 | M12 | 10 | 10 | 40 | 60 | 60 | 40 | 1,690 |
| 2801600181 | M8 | M8 | 8 | 8 | 20 | 20 | 20 | 20 | 180 |
| 2801600291 | M8 | M8 | 8 | 8 | 20 | 25 | 25 | 20 | 290 |