



### Features

- Premium performance professional LED MR16 range with the same look and feel of traditional halogen MR16 lamp. Recreates backlight effect similar to halogen dichroic lamps. Full glass design - means no colours clashing between lamp and fixture. Very long lifetime of up to 25,000 hours. Switching cycles: >100,000. Colour rendering: CRI80. Lamp voltage: 12V AC/DC. Warranty: 5 Years

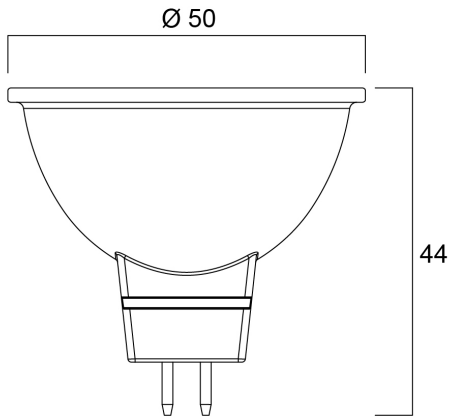
### Product Overview

Product name	RefLED Superia Retro MR16 V3 621LM 840 36 SL
Technology	LED
Watt (Rated) (W)	6
Lamp shape	Reflector
Cap/Base	GU5.3
Lamp finish	Fresnel lens
Fixture rating	Open
General application	Education, Hospitality, Museums & Galleries, Residential & Consumer, Retail
ETIM Class	EC001959
Correlated colour temperature (k)	4000
Light colour	Cool White
CRI (Ra)	80
Colour Variation Initial (SDCM)	6
Beam Angle (°)	36
Photobiological Risk Group	RG1
Wattage (W)	6
Power consumption (W)	6

## RefLED Superia Retro MR16 V3 621LM 840 36 SL 0031811

Control gear type	LED driver constant current
Dimmable	No
Housing colour	Transparent
IP rating	IP20
Product EAN number	5410288318110
Warranty	3 years
Dimming method	N/A
Useful luminous flux (#use)	621

### Technical drawings



### Data table

#### GENERAL DATA

Product name	RefLED Superia Retro MR16 V3 621LM 840 36 SL
Technology	LED
Watt (Rated) (W)	6
Lamp shape	Reflector
Cap/Base	GU5.3
Lamp finish	Fresnel lens
Fixture rating	Open

## RefLED Superia Retro MR16 V3 621LM 840 36 SL 0031811

General application	Education, Hospitality, Museums & Galleries, Residential & Consumer, Retail
ETIM Class	EC001959
Warranty	3 years

### OPTICAL DATA

Useful luminous flux (#use)	621
Correlated colour temperature (k)	4000
Light colour	Cool White
CRI (Ra)	80
Colour Variation Initial (SDCM)	6
Luminous Intensity (cd)	1150
Beam Angle (°)	36
Photobiological Risk Group	RG1

### ELECTRICAL DATA

Power consumption (W)	6
Wattage (W)	6
Equivalent watt (W)	50
Current (A)	0.6
Primary Supply/Product voltage - min (V)	12.0
Primary Supply/Product voltage - max (V)	12.0
Control gear required	Yes
Control gear type	LED driver constant current
No. Of switching cycles before premature failures	>50000
Dimmable	No
Dimming method	N/A
Inrush Current (A)	4.12
Inrush Duration (µs)	1400
Lamp Energy Label (class)	E
Nominal Frequency (Hz)	DC

### LIFETIME DATA

## RefLED Superia Retro MR16 V3 621LM 840 36 SL 0031811

Lifespan L70 B50	25000
------------------	-------

### PHYSICAL DATA

Housing colour	Transparent
IP rating	IP20
Nominal Product Height (mm)	44
Nominal Product Diameter (mm)	50
Weight (kg)	0.041

### PACKAGING

Product EAN number	5410288318110
Packaging single length / height (cm)	6.1
Packaging single width (cm)	5.1
Packaging single depth (cm)	8.2
DUN14 (inner)	15410288318117
Units per inner package	6
Packaging inner length / height (cm)	19.4
Packaging inner width (cm)	11.1
Packaging inner depth (cm)	9.2
DUN14 (outer)	25410288318114
Units per outer package	60
Packaging outer length / height (cm)	58.5
Packaging outer width (cm)	20.8
Packaging outer depth (cm)	20.8

### SAFETY DATA

Breakage cleaning instructions	Not applicable
Special purpose lamp	No
Dry applications use only	Yes
Suitable for household illumination	Yes
Safety message	Not Suitable for totally enclosed fixtures

# SYLVANIA

RefLED Superia Retro MR16 V3 621LM 840 36 SL  
0031811

## Energy label



0031811



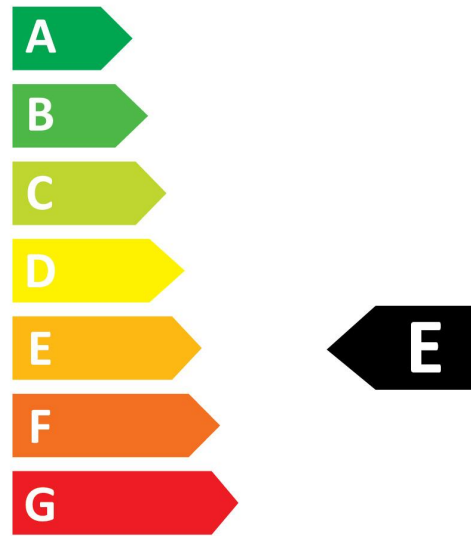
6  
kWh/1000h



2019/2015



0031811



6  
kWh/1000h



2019/2015