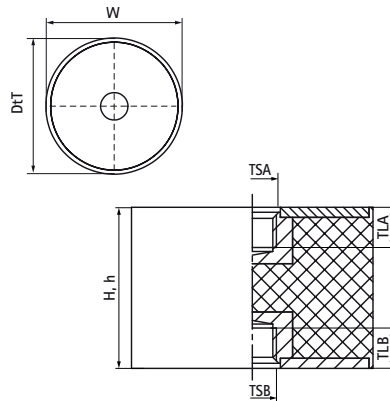


Walraven VibraTek® SB-FF Silentblock

(L20566)

a rubber silentblock with two internal threads



Features & benefits

- a universal rubber absorber, ideal for use with all kinds of elastic suspension or mounting of equipment
- ideal for use with machinery and equipment mounted on metallic surface
- with two female threads
- for use in compression only
- working temperature range -30 °C till 80 °C

Product Number	VVS Number	Thread Size A	Thread Size B	Thread Length A	Thread Length B	Total Height	Total Width	Total Depth	Height	Maximum Allowed Load Faz
<i>Reference letter</i>		<i>TSA</i>	<i>TSB</i>	<i>TLA</i>	<i>TLB</i>	<i>H</i>	<i>W</i>	<i>DtT</i>	<i>h</i>	<i>F_{0,z}</i>
<i>Unit description</i>				<i>mm</i>	<i>mm</i>	<i>mm</i>	<i>mm</i>	<i>mm</i>	<i>mm</i>	<i>N</i>
2801600181	018093501	M8	M8	8	8	20	20	20	20	180
2801600291	018093502	M8	M8	8	8	20	25	25	20	290
2801600420	018093504	M8	M8	8	8	25	30	30	25	420
2801600750	018093507	M8	M8	8	8	40	40	40	40	750
2801601170	018093511	M10	M10	8	8	40	50	50	40	1,170
2801601690	018093516	M12	M12	10	10	40	60	60	40	1,690