

Technische Daten/ Technical Data

KLUDI-PUSHTRONIC

electronic concealed thermostatic fitting
pre-installation set with trim set
DN 15

Ref.: 38300N5-00

Finishes:

N5 Stainless Brushed Nickel PVD

Product description

Manufacturer KLUDI GmbH & Co. KG

Typ: KLUDI-PUSHTRONIC

electronic concealed thermostatic fitting
pre-installation set with trim set

Ref.: 38300N5-00

electronic concealed thermostatic fitting
pre-installation set with trim set

electronic mixing unit IP54

wall or ceiling mounted (protection area 3)

revision shaft necessary

electric power supply via 230V main adapter

operation via trim set

connection between pre-installation set and trim set via cable

CE marking

with WIFI module

with option for APP control

connection cold water G1/2 / hot water G1/2

connection of 1 or 2 consumers (G1/2) possible

simultaneous use of 2 consumers possible

flow rate max. at 3 bar ...

outlet 1= 6 l/min.- 18 l/min.

outlet 2= 6 l/min.- 18 l/min.

outlet 1+2= 12 l/min.- 20 l/min.

sieve seals included

protected against back flow

safety function at 38°C

temperature limitation to 44°C

thermal disinfection max. 70°C possible

start-temperature individually adjustable via APP

start-flow rate individually adjustable via APP

"warm-up" function via APP

maximum shower time: 1 min. to 20 min. adjustable via app

warm-up memory for up to 3 users via app

electronic panel IP65

to control temperature and flow rate

1 x rotary and push button for temperature setting

2 x rotary and push button for volume setting and on/off

wall mounted

concealed plastic housing

with additional sealing gasket

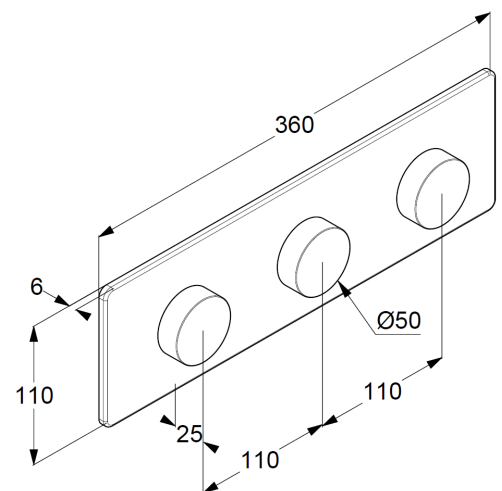
sealing according to DIN 18534

power supply 12 volts (cable from water connection box)

Produktabbildung/ Product picture



Maßzeichnung/ Dimensional drawing



Durchfluss/ Flow rate

