

Single USB Charger A+C for furniture



■ Index

Description	1
Applications.....	1
Available versions.....	2
Dimensions	2
Installation.....	4
Technical data	5
Directives and Regulations.....	5
Manufacturing material	5
Package contents	5
Compatibility	6

■ Description

Single USB charger A+C kits for installation inside the table with the option of a protective cover to allow it to be closed and hide the connections when not in use.

Version available with USB Type A and Type C figures with a maximum intensity of 3.1A, equipped with Quick Charge 3.0 charging technology and available in two finishes: white and black.

Possibility of choosing to supply the product with a 20 cm patch-cord length ended in:

- Wieland® Gst18i 3-pole aerial male quick-connection compatible connector with safety anchor to facilitate connection and disconnection from the network safely without the need to interrupt the supply.
- Free-end to allow customization of the type of connection (plug, terminal...)

The kit is supplied assembled and with the internal connections previously made. It is only necessary to make the hole in the piece of furniture where the product is going to be fixed and once it has been made, connect it to the power network so that it is functional.

■ Applications

Bringing the connection closer, either for a workstation or for an eventual connection, with the possibility of hiding it, is the main application of this solution for furniture. Its use is ideal in office tables, meeting rooms, offices, consultancies, receptions, counters, hotels and domestic spaces.

Single USB Charger A+C for furniture

Available versions

The USB charger with Type A and Type C figures is available in only 1 version and in two finishes: black and white with the same RAL color as the S400 range to maintain the uniformity of the finish when it coexists in the same furniture with more than one enclosure different from the S400 range.

The USB charger are supplied internally wired and with a 20 cm patch-cord length.

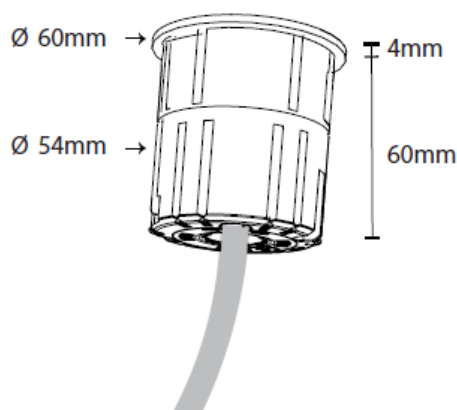
Depending on the version chosen, the patch-cord may end in a Wieland® 3-pole gst18i male aerial compatible connector with safety anchor or free-end to customise the type of connection.

Optionally, the protective cover (reference **43100002-13x**) can be purchased to hide the connections when they are not in use.

Single USB charger A+C	White	Black	Double connector Type A	Double connector Type C	Connector Type A + C	Quick-connection ending	Free-end patch-cord ending
43120200	-130	-138			1	Yes	
43120000	-130	-138			1		Yes

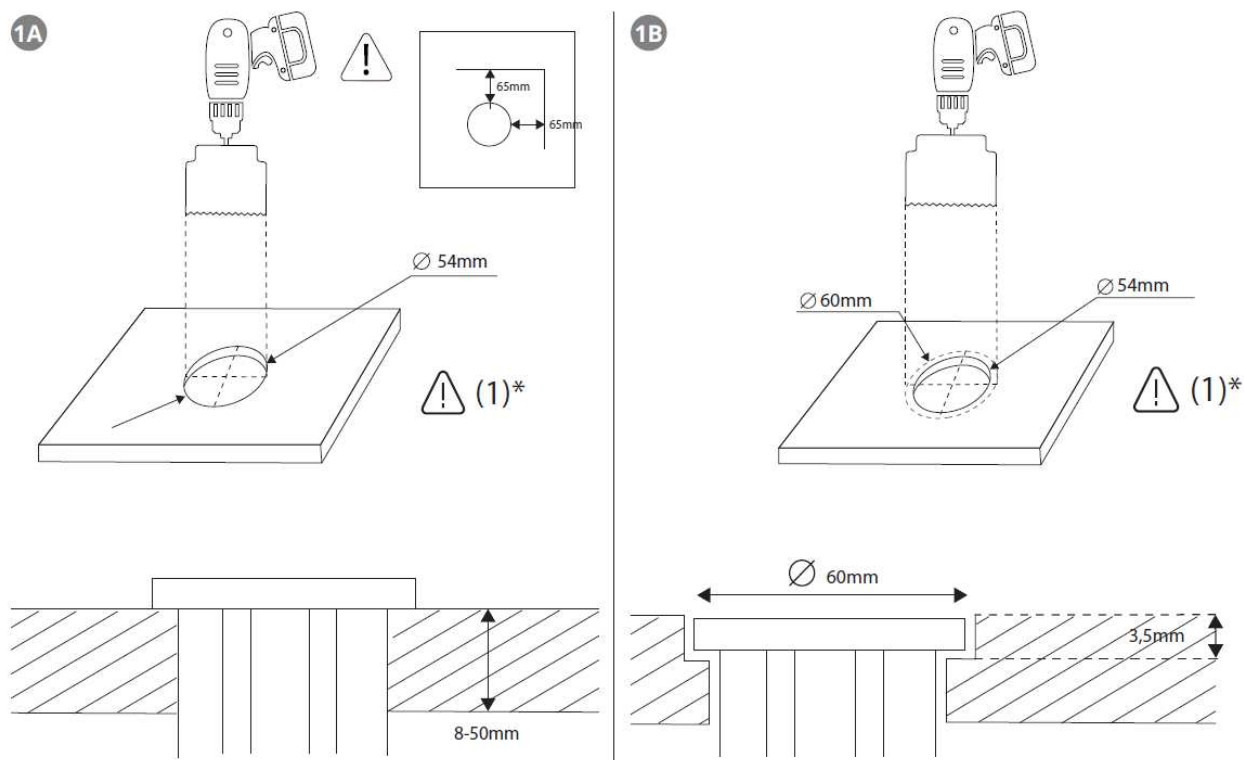
Dimensions

Enclosure dimensions



Single USB Charger A+C for furniture

Hole dimensions



Dimension and weight of the packagings



43120200-13x	43120000-13x	43120200-23x	43120000-23x
105x72x72 (mm)	105x72x72 (mm)	105x72x72 (mm)	105x72x72 (mm)
0,16 Kg	0,13 Kg	0,16 Kg	0,13 Kg

Single USB Charger A+C for furniture

■ Installation

Cut holes in the furniture with a diameter of 54 mm so that the frame protrudes 3.2 mm from the table and prevent the possible access of liquid to the interior of the socket in the event of a nearby spill.

If you want the frame to be embedded in the furniture, you must use a 60 mm diameter crown applying 3.5 mm depth, leaving 65 mm of free space around the cut hole in case the hole is made at the end of a piece of furniture to prevent it from coinciding with the reinforcement bars of the piece of furniture to be pierced.

This distance is also related to the use of the protective cover, since if there is a table separator it can prevent the total opening of the protective cover.

Once the drilling process is finished, we will distribute the power patch-cord through the cut hole and proceed to its connection (either by connecting a 3-conductor wire through a clamp/plug or by connecting a patch-cord ended in a female aerial quick-connection connector).

Next, we will place the single USB charger in the enabled cutting hole, centering the product according to the customer's needs, and we will proceed to screw the claws to fix the single USB charger to the furniture.

To finish, we will place the trim frame on the single USB charger body, verifying that the fixing anchors of the frame are aligned with the single USB charger body.

In case of installing the protective cover, it will be necessary to place the supplied trim frame with the protective cover and then place the protective cover on the trim frame joining both pieces through the joint piece.

If it is decided to install the protective cover some time later, the trim frame must be removed and replaced with the trim frame supplied together with the protective cover. To conclude, the protective cover will be placed on the trim frame, joining both pieces through the joint piece.

For more information, consult the installation manual A992019 supplied with single socket-outlet or the installation manual A992158 supplied with the protective cover or by downloading them through the simonelectric.com website.

Single USB Charger A+C for furniture

- Technical data

Compliance with Standard	EN 60670-1
Material type	Composite
Embedded installation	Furniture
Fastening system	With cable anchoring / Without cable anchoring
Input	127-230V~ 50/60 Hz
Output	A+C 15.5W 5V ⁻ 3.1A
Output USB port Type A:	18W 5V ⁻ 3A 9V ⁻ 2A 12V ⁻ 1.5A
Output USB port Type C:	18W 5V ⁻ 3A 9V ⁻ 2A 12V ⁻ 1.5A
Fast charging technology:	Quick Charge 3.0
Temperature range during installation	De -5°C a +60°C
Fixation system	Through clamps supplied with the product
Insulation resistance	> 5MΩ at 500V
Dielectrical rigidity	No drilling or contouring with 2000V.50Hz / 1 minute

- Directives y Regulations

Directives	2014/35/UE LVD 2014/30/UE EMC 2011/65/UE RoHS
Regulations	EN 60670-1:2005 + A1:2013 IEC 60884-1 Ed 3.2 EN 60950-1:2006 + A11:2009 + A1:2010 + A12:2011 + A2:2011 ETSI-EN 301489-34 V1.4.1 EN 50173-1:2011 EN 50581:2012

- Manufacturing material

Enclosure	Polycarbonate
Frame, cover and protective lid	Polycarbonate
Electrical contacts	Brass

- Package contents

Supply	Enclosure assembled and wire ended in quick-connection connector / free-end
	Trim frame (optional protective lid)
	Clamps (supplied assembled in the enclosure)
	Installation manual

Single USB Charger A+C for furniture

▪ Compatibility

S400 multimedia plates	No compatible con S400 multimedia connectors
S400 voice and data and blind plates	No compatible con S400 voice and data and blind plates
S400 socket-outlets	Change or extension are not allowed
S400 USB chargers	Change or extension are not allowed
Switching and signalling mechanisms	Not supported
Security range	Not supported
S27 range	Not supported
K45 range	Not supported
Quick-connect connection range	Compatible with quick-connection connectors, patch-cords and 3-pole power distribution boxes supplied with Wieland® GST18i shape.