

Technische Daten/ Technical Data

KLUDI-TOUCHTRONIC

electronic concealed thermostatic fitting
pre-installation set with touchdisplay
DN 15

Ref.: 38310G1-00

Finishes:

G1 polycarbonate

Product description

Manufacturer KLUDI GmbH & Co. KG

Typ: KLUDI TOUCHTRONIC

electronic concealed thermostatic fitting
pre-installation set with touchdisplay

Ref.: 38310G1-00

electronic concealed thermostatic fitting

pre-installation set with touchdisplay

electronic mixing unit IP54

wall or ceiling mounted (protection area 3)

revision shaft necessary

electric power supply via 230V main adapter

operation via touch display

connection between pre-installation set and touch display via
cable

CE marking

with WIFI module

control via touch display

with option for APP control

connection cold water G1/2 / hot water G1/2

connection of 1 to 3 consumers (G1/2) possible

simultaneous use of 2 consumers possible

flow rate max. at 3 bar ...

outlet 1= 6 l/min.- 18 l/min.

outlet 2= 6 l/min.- 18 l/min.

outlet 3= 6 l/min.- 18 l/min.

outlet 1+2= 12 l/min.- 20 l/min.

outlet 1+3= 12 l/min.- 20 l/min.

outlet 2+3= 12 l/min.- 20 l/min.

sieve seals included

protected against back flow

safety function at 38°C

temperature limitation to 44°C

thermal disinfection max. 70°C possible

start-temperature individually adjustable

start-flow rate individually adjustable

"warm-up" function

maximum shower time: 1 min. to 20 min. adjustable via app

memory for up to 3 users via app

electronic display IP65

to control temperature and flow rate

wall mounted

concealed plastic housing

with additional sealing sleeve

sealing according to DIN18534

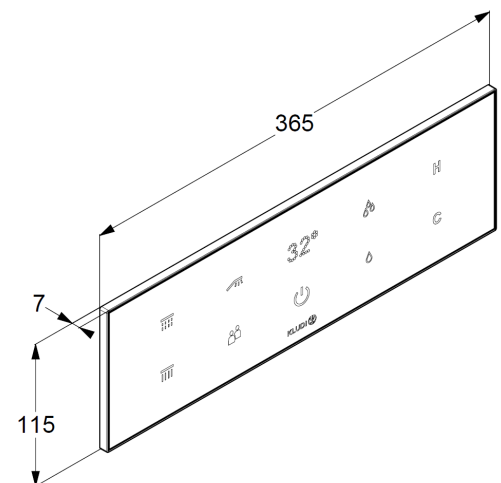
power supply 12 volts (cable from water connection box)

key lock for cleaning

Produktabbildung/ Product picture



Maßzeichnung/ Dimensional drawing



Durchfluss/ Flow rate

