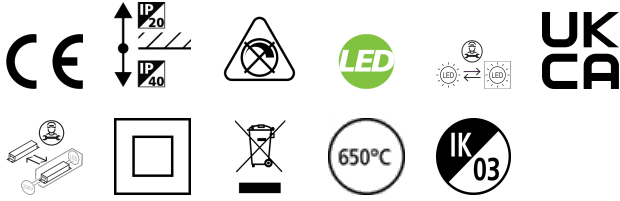


START SPOT SCOOP 1050LM 940 MB WHITE

Item No: 0060581

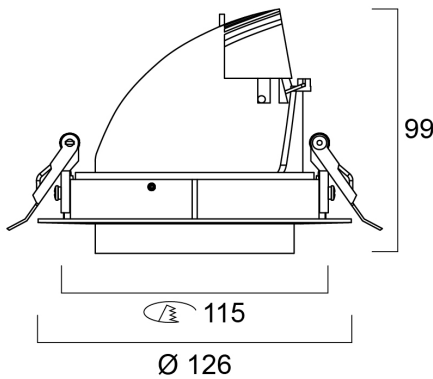
SYLVANIA



Recessed Adjustable Accent Downlight, integrated LED, die cast aluminium body, Ø115mm cut-out, CCT 4000K, SDCM<3, CRI90, 1050lm, total power consumption 12W, resulting in 88lm/W.

Technical Assets

Dimensions (mm)

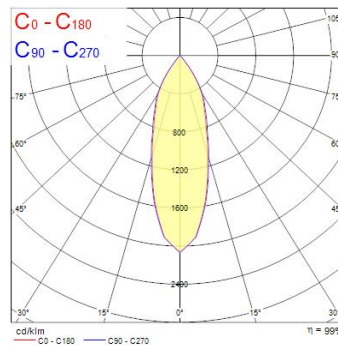


Photometrics

Distance [m]	Cone diameter [m]	Beam angle [°]	Beam diameter [m]	Illuminance [lx]
0.5	0.31	32.8°	17.0"	870
	0.29		16.4"	303
1.0	0.61	32.8°	17.0"	216
	0.59		16.4"	96
1.5	0.92	32.8°	17.0"	96
	0.88		16.4"	49
2.0	1.22	32.8°	17.0"	54
	1.18		16.4"	33
2.5	1.53	32.8°	17.0"	38
	1.47		16.4"	24
3.0	1.83	32.8°	17.0"	24
	1.77		16.4"	16

Distance [m] Cone diameter [m] Illuminance [lx]

— C0 - C180 (Half beam angle: 32.8°)
— C90 - C270 (Half beam angle: 34.7°)



START SPOT SCOOP 1050LM 940 MB WHITE

Item No: 0060581

SYLVANIA

General data

Product name	START SPOT SCOOP 1050LM 940 MB WHITE
Technology	LED
Housing	Aluminium
Environment	Indoor
General application	Retail
Operating temperature range (°C)	-10°C...+40°C
Performance ambient temperature Tq (°C)	25
ETIM Class	EC001744
E-number FI	4276978
Warranty	5 years

Optical data

Useful luminous flux (Φuse)	1050
Fixture luminous flux (lm)	1050
Luminaire efficacy (lm/W)	88
Correlated colour temperature (k)	4000
Colour Code	940
Light colour	Neutral White
CRI (Ra)	90
Colour Variation Initial (SDCM)	SDCM3
Beam Angle (°)	32
Photobiological Risk Group	RG1

Electrical data

Total power consumption (W)	12
Current (A)	0.06
Primary Supply/Product voltage - min (V)	220
Primary Supply/Product voltage - max (V)	240
Lamp power factor	0.90
THD (at 230 V, 50 Hz, full load, at 100% dimming level) ≤ xx.x %	20.0
Electrical protection	Class II
Dimmable	No
Drive current (mA)	300
Inrush Current (A)	10
Inrush Duration (µs)	150
Energy Efficiency Class (A->G) of contained light source	F
Nominal Frequency (Hz)	50/60Hz
LED Flickering Rate	Medium (21% - 40%)
Max. products per 10A C Breaker	55
Max. products per 13A C Breaker	72
Max. products per 16A C Breaker	88
Max. products per 20A C Breaker	110

Lifetime data

Lifespan L70 B50	50000
Lifespan L80 B20	32000
Lifespan L90 B10	15000

START SPOT SCOOP 1050LM 940 MB WHITE

Item No: 0060581

SYLVANIA

Physical data

Housing colour	RAL 9016 - Traffic white / Bezel
IP rating	IP40/20
IK rating	IK03
Diffuser finish	Transparent
Diffuser material	Glass
Nominal Product Length (mm)	126
Nominal Product Width (mm)	126
Nominal Product Height (mm)	99
Weight (kg)	0.456

Packaging

Product EAN number	5410288605814
Packaging single length / height (cm)	17.5
Packaging single width (cm)	17.5
Packaging single depth (cm)	10.5
DUN14 (inner)	15410288605811
Units per outer package	18
Packaging outer length / height (cm)	54.5
Packaging outer width (cm)	37.0
Packaging outer depth (cm)	33.5

Safety data

Glow Wire Test (°C)	650
Optimal operating condition (°C)	-10-40