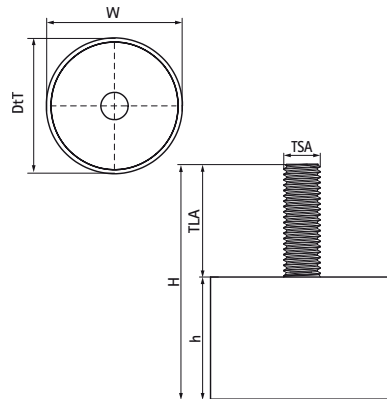


## Walraven VibraTek® SB-M Silentblock

(L20569)

a rubber silentblock with one external thread



### Features & benefits

- a universal rubber absorber, ideal for use with all kinds of elastic suspension or mounting of equipment
- ideal for use with machinery and equipment mounted on metallic surface
- for use in compression only
- with an external thread and a rubber base
- working temperature range -30 °C till 80 °C

Product Number	VVS Number	Thread Size A	Thread Length A	Total Height	Total Width	Total Depth	Height	Maximum Allowed Load Faz
Reference letter		TSA	TLA	H	W	DtT	h	F <sub>o,z</sub>
Unit description			mm	mm	mm	mm	mm	N
2801700181	018093601	M8	23	43	20	20	20	180
2801700291	018093602	M8	23	43	25	25	20	290
2801700420	018093604	M8	23	48	30	30	25	420
2801700750	018093607	M8	23	63	40	40	40	750
2801701170	018093611	M10	28	68	50	50	40	1,170
2801701690	018093616	M12	37	77	60	60	40	1,690