

Product End of Life Instructions

Modular single phase power meter 230V - 45A with communication Modbus



⚠ Potential disassembly risks

The information provided in this document assumes that the product is completely de-energized and uninstalled (refer to the instructions provided in the appropriate product manuals).

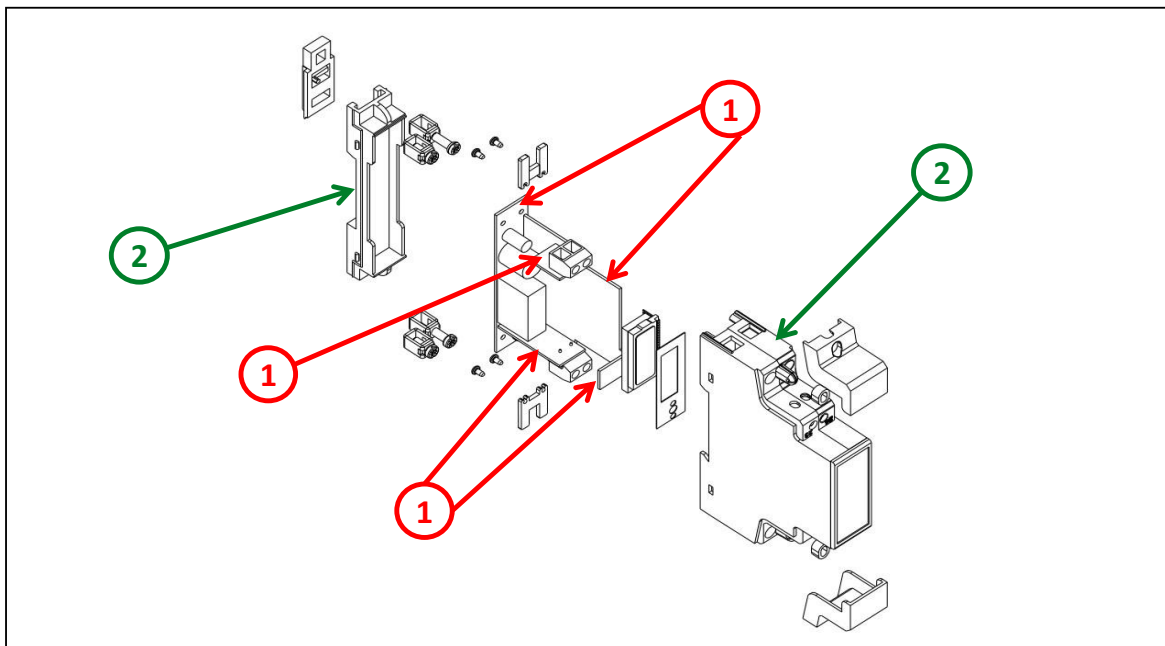
Dismantling/disassembling the product may entail hazards caused by, for example, sharp edges, chemical aggression or ejected parts.

⚠ WARNING

HAZARD DUE TO INSUFFICIENT PROTECTION

- Implement all safety measures required by the applicable regulations and by the processes used to dismantle/disassemble and dispose of the product.
 - Use all necessary personal protective equipment such as gloves and goggles.
- Failure to follow these instructions can result in death or serious injury.**

🔧 End of Life Instructions



Recommendation	Number on drawing	Component / Material	Weight (in g)	Comment
To be depolluted	1	Electronic Board (Communication)	35.934	
To be dismantled	2	Plastics	26.7	Front and Back case

Product description

Manufacturer identification	Schneider Electric Industries SAS
Brand name	Schneider Electric
Product function	The energy meter offer a single-phase DIN rail-mounted energy meter fitted for basic metering. This product family can be used to monitor power consumption for each sector, unit, or workshop and manage electrical installation for building management
Product reference	A9MEM2055
Additional similar product references	A9MEM2050
Total representative product mass	76 g
Representative product dimensions	W17.5mm x D 63mm x H 90mm
Date of information release	9/1/2024

Additional information

Legal information	This product family is in the scope of European Union directive 2012/19/EU on Waste Electrical and Electronic Equipment (WEEE). The product family must be disposed according to the legislation of the country. This document is intended for use by end of life recyclers or treatment facilities. It provides the basic information to assure an appropriate end of life treatment for the components and materials of the product.	
Recyclability potential	13%	Recyclability rate has been calculated based on REEECY'LAB tool developed by Ecosystem, for components/materials not covered by the tool, data from the "ECO'DEEEE recyclability and recoverability calculation method" was taken. If no data was found a conservative assumption was used (0% recyclability).

Schneider Electric Industries SAS

Country Customer Care Center
<http://www.se.com/contact>

35, rue Joseph Monier

CS 30323

F- 92500 Rueil Malmaison Cedex

RCS Nanterre 954 503 439
 Capital social 928 298 512 €

www.se.com

ENVEOLI2409003_V1

Published by Schneider Electric

© 2023 - Schneider Electric – All rights reserved

9/1/2024