

Presence detector
353-651421-1



SnapFit
mounting



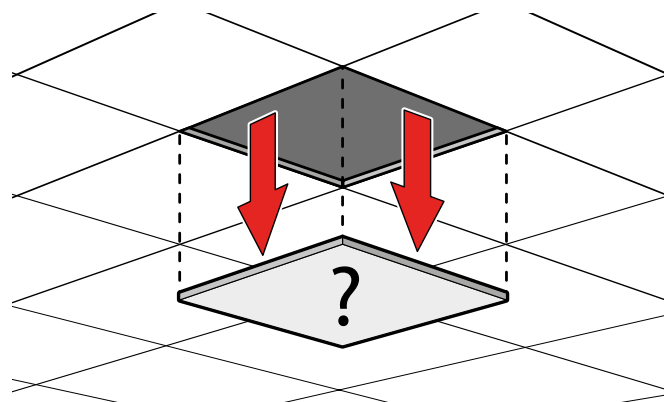
4 year warranty

Ø 76 mm

Installation

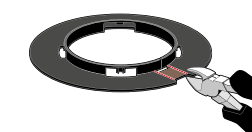
230 V – OFF

Instalatie / Installation / Installation / Installation / Installation / Installasjon / Installazione / Instalacja / Instalácia

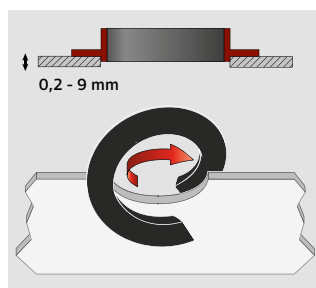
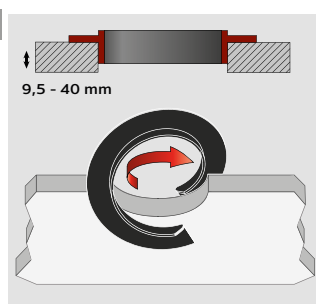


1

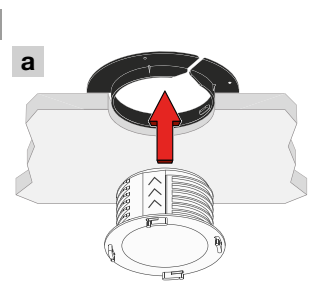
NOT REMOVABLE
(fixed ceiling)
Ø 76 mm



2

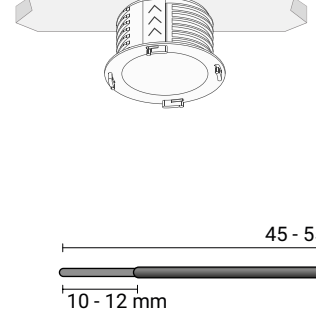
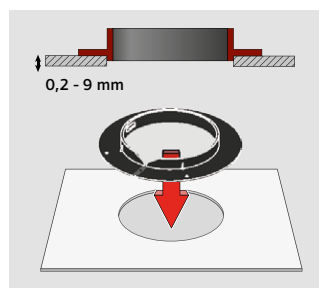
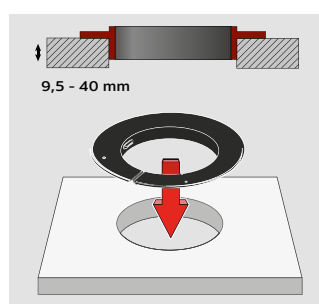


3

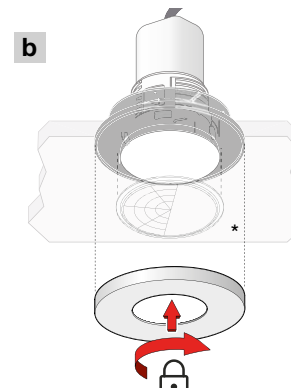
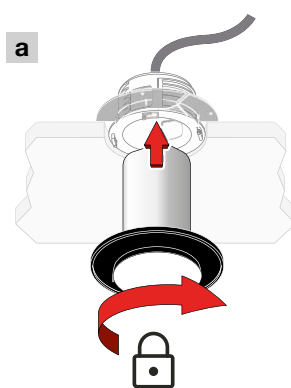


45 - 55 mm
10 - 12 mm

REMOVABLE
(suspended ceiling)
Ø 76 mm



4



* optional

App settings

230 V – ON

App-instellingen / Réglages de l'appli / App-Einstellungen / App indstillinger / Appnstillinger / App-innstillinger / Impostazioni dell'app / Ustawienia aplikacji / Nastavenia aplikácie

Factory settings	Switch ON/OFF	500 lux	15 min
------------------	---------------	---------	--------



Bluetooth



LED behaviour

230 V – ON

Ledgedrag / Comportement des LED / LED-Verhalten / LED funktioner / LED-funktioner / LED-funksjon / Comportamento del LED / Zachowanie LED / LED signalizácia

EN

Green LED continuous on	●	Connection OK	
Green LED breathing	●	Connection OK, overrule ON	
Green LED flashing	●	Warming up	Wait
Red LED continuous on	●	Error	More info -->
Red LED breathing	●	Warning	
Blue LED flashing	●	Walk test active	



NL

Groene led brandt	●	Verbinding OK	
Groene led langzaam aan/uit	●	Verbinding OK, overrulen AAN	
Groene led knippert	●	Warmt op	Even geduld
Rode led brandt	●	Fout	Meer informatie -->
Rode led gaat langzaam aan en uit	●	Waarschuwing	
Blauwe led knippert	●	Wandeltest geactiveerd	



FR

LED verte allumée en continu	●	Connexion OK	
LED verte respire	●	Connexion OK, overrule ON	
LED verte clignote	●	Chauffe	Attendez
LED rouge allumée en continu	●	Erreur	Plus d'info -->
LED rouge respire	●	Avertissement	
LED bleue clignote	●	Test de mouvement actif	



DE

Grüne LED leuchtet	●	Verbindung OK	
Grüne LED pulsiert	●	Verbindung OK, überstimmen AN	
Grüne LED blinkt	●	Aufwärmen	Warten
Rote LED leuchtet	●	Fehler	Mehr Info -->
Rote LED pulsiert	●	Warnung	
Blaue LED blinkt	●	Bewegungstest aktiv	



DK

Grøn LED lyser konstant	●	Forbindelse OK	
Grøn LED blinker langsomt	●	Forbindelse OK, overstyring aktiv	
Grøn LED blinker hurtigt	●	Varmer op	Vent
Rød LED lyser konstant	●	Fejl	Mere info -->
Rød LED blinker langsomt	●	Advarsel	
Blå LED blinker hurtigt	●	Gå-test aktiv	



SE

Grön LED kontinuerligt på	●	Anslutning OK	
Grön LED-andning	●	Anslutning OK, upphäva ON	
Grön LED blinkar	●	Värmer upp	Vänta
Röd LED kontinuerligt på	●	Fel	Mer information -->
Röd LED-andning	●	Varning	
Blå LED blinkar	●	Promenadtest aktivt	



NO

Grønn lysdiode kontinuerlig på	●	Tilkopling OK	
Grønn lysdiode fungerer	●	Tilkopling OK, overstyring PÅ	
Grønn lysdiode blinker	●	Varmes opp	Vent
Rød lysdiode kontinuerlig på	●	Feil	Mer info -->
Rød lysdiode fungerer	●	Advarsel	
Blå lysdiode blinker	●	Funksjonstest virksom	



IT

LED verde sempre acceso	●	Connessione OK	
LED verde della respirazione	●	Connessione OK, annullamento ACCESO	
LED verde lampeggiante	●	Riscaldamento	Attendere
LED rosso sempre acceso	●	Errore	Maggiori info -->
LED rosso della respirazione	●	Avvertenza	
LED blu lampeggiante	●	Test del cammino attivo	



PL

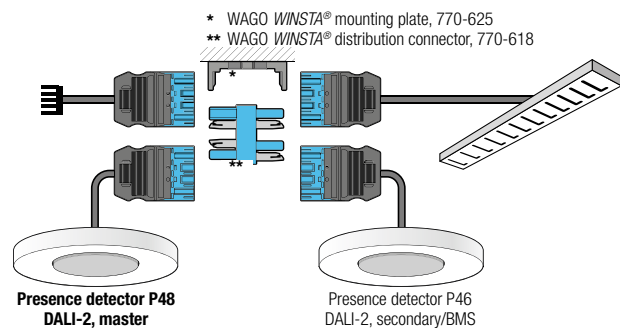
Zielona dioda LED świeci światłem ciągłym	●	Połączenie OK	
Zielone światło LED pulsuje	●	Połączenie OK, odrzuć ON	
Zielona dioda LED miga	●	Rozgrzewanie	Czekaj
Czerwona dioda LED świeci światłem ciągłym	●	Błąd	Więcej informacji -->
Czerwona dioda LED pulsuje	●	Ostrzeżenie	
Niebieska dioda LED miga	●	Test przejścia aktywny	



Wiring

230 V – OFF

Aansluitschema / Schéma de raccordement / Verdrahtung / Tilslutningsskema / Kopplingschema / Ledningstilkopling / Cablaggio / Okablowanie / Instalácia



Presence detector P48
DALI-2, master

Presence detector P46
DALI-2, secondary/BMS

Dimensions

Åfmetingen / Dimensions / Abmessungen / Dimensioner / Mått / Dimensjoner / Dimensioni / Wymiary / Rozmery

