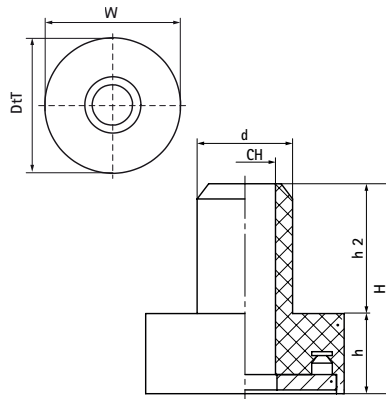


Walraven VibraTek® SA-1 Silent Absorber

(L20548)

silent rubber absorber for isolating metal to metal contact



Features & benefits

- a versatile viscoelastic rubber absorber for preventing metal-to-metal contact in joined or fastened surfaces
- simple installation
- with Ø 8mm hole for use with M8 threaded rods
- prevents transmission of vibration and noise
- working temperature range -10 °C till 45 °C

Product Number	VVS Number	Total Height	Total Width	Total Depth	Height	Height 2	Connection Hole	Recommended Minimum Load Faz	Recommended Maximum Load Faz	Maximum Static Deflection
<i>Reference letter</i>		<i>H</i>	<i>W</i>	<i>DeT</i>	<i>h</i>	<i>h 2</i>	<i>CH</i>			
<i>Unit description</i>		<i>mm</i>	<i>mm</i>	<i>mm</i>	<i>mm</i>	<i>mm</i>	<i>mm</i>	<i>N</i>	<i>N</i>	<i>mm</i>
2800900300	018093703	28	26	26	10.5	17	8	10	180	3