



eVALVE Valve for low flow with controller Surface-mounted 85 x 41 x 167 mm - SPARE PARTS

---

90 30 50 089 01 90





eVALVE Valve for low flow with controller Surface-mounted 85 x 41 x 167 mm - SPARE PARTS

---

90 30 50 089 01 90

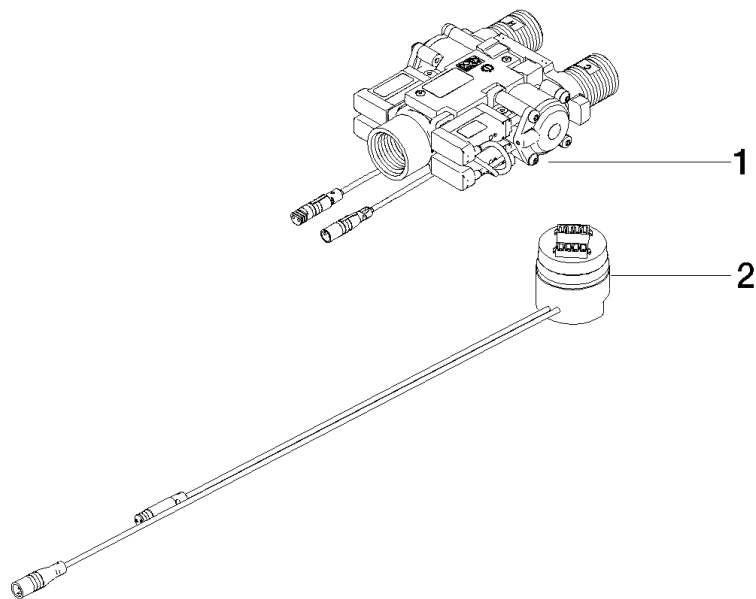


eVALVE Valve for low flow with controller Surface-mounted 85 x 41 x 167 mm - SPARE PARTS

---

90 30 50 089 01 90

90 30 50 089 01 90



### Spare parts list

No.	Item Number	Name	Quantity used	Delivery time
1	90 30 50 089 00 90	eVALVE Valve for low flow Surface-mounted 85 x 41 x 167 mm -	1.00	14
2	90 10 01 100 11 90	eValve Controller moulded Ø 35 x 40 mm -	1.00	14