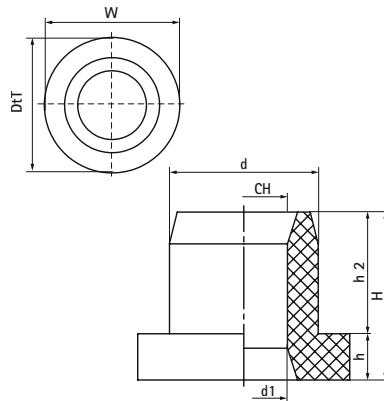


## Walraven VibraTek® SA-2 Silent Absorber

(L20551)

silent rubber absorber for isolating metal to metal contact



### Features & benefits

- a versatile viscoelastic rubber absorber for preventing metal-to-metal contact in joined or fastened surfaces
- simple installation
- with Ø 14mm hole for use with M10 and M12 threaded rods
- prevents transmission of vibration and noise
- working temperature range -10 °C till 45 °C

Product Number	Total Height	Total Width	Total Depth	Height	Height 2	Connection Hole	Recommended Minimum Load Faz	Recommended Maximum Load Faz	Maximum Static Deflection
<i>Reference letter</i>	<i>H</i>	<i>W</i>	<i>DtT</i>	<i>h</i>	<i>h 2</i>	<i>CH</i>			
<i>Unit description</i>	<i>mm</i>	<i>mm</i>	<i>mm</i>	<i>mm</i>	<i>mm</i>	<i>mm</i>	<i>N</i>	<i>N</i>	<i>mm</i>
2801000300	27	34	34	7.3	19.2	14	10	250	3