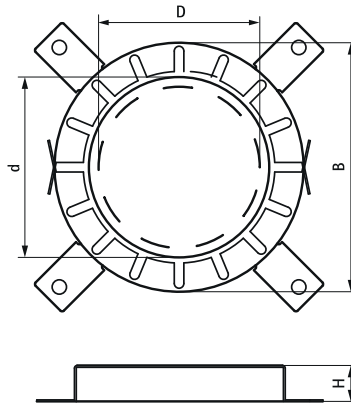
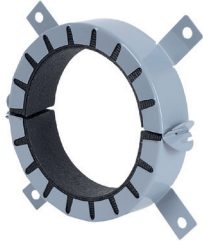


## Walraven Pacifyre® AWM II+ Fire Collar

(U0430)

Innovative fire collar for complex installations of plastic and multi-layer pipes pipes



### Features & benefits

- Zero distance is possible between fire collars
- Built-up fire collar for plastic (combustible) pipes and pipe systems. For apertures in walls (solid walls or flexible walls) and floors with fire protection
- Installation of elbows, pipe couplings or branch pipes into the wall or, directly in, or under the ceiling is possible
- With a fire resistance up to EI 120 U/U
- Installation of telecommunications pipeline or protective piping with up to 2 cables is possible
- The use of PE noise insulation hose up to a thickness of 4 mm of composite natural rubber insulation to a thickness of 43 mm is allowed
- Tested and approved according to EN 1366-3



Product Number	Outside Pipe Diameter	Inner Diameter	Outer Diameter	Total Width x Total Height x Total Depth	Number Of Fixations Needed
Reference letter	D	ID	OD	W x H x Dt	
Unit description	mm	mm	mm	mm x mm x mm	
2134032034	32	40	54	50 x 26 x 50	2
2134040042	40	48	62	58 x 26 x 58	2
2134050052	50	57	71	68 x 26 x 68	2
2134063065	63	70	97	94 x 26 x 94	4
2134075077	75	83	110	106 x 26 x 106	4
2134090092	90	100	138	132 x 26 x 132	4
2134110112	110	120	161	155 x 26 x 155	4
2134125125	125	135	178	172 x 40 x 172	4
2134140140	140	152	206	200 x 40 x 200	6
2134160160	160	169	225	220 x 40 x 220	6
2134180180	180	184	264	264 x 40 x 264	8
2134200200	200	204	284	284 x 40 x 284	8
2134225225	225	239	328	500 x 100 x 510	10
2134250250	250	264	353	500 x 100 x 510	10
2134280280	280	289	378	500 x 100 x 510	12
2134300300	300	314	403	500 x 100 x 510	12
2134315315	315	328	417	500 x 100 x 510	12
2134355355	355	370	459	453 x 50 x 453	12
2134400400	400	415	504	503 x 50 x 503	12