

PowerXL DX1 series fiber optic card (DXX-EXT-OF)

Instruction Leaflet	Инструкция по монтажу	Asennusohje	Instrukcja montażu
Montageanweisung	Montagehandleiding	Návod k montáži	Navodila za montažo
Notice d'installation	Montagevejledning	Paigaldusjuhend	Návod na montáž
Instrucciones de montaje	Οδηγίες εγκατάστασης	Szerelési utasítás	Монтажни инструкции
Istruzioni per il montaggio	Instruções de montagem	Montāžas instrukcija	Instrucțiuni de montaj
安装说明	Monteringsanvisning	Montavimo instrukcija	



(en) Electric Current! Danger to Life!

Only skilled or instructed persons may carry out the following operations.

(de) Lebensgefahr durch elektrischen Strom!

Nur Elektrofachkräfte und elektrotechnisch unterwiesene Personen dürfen die im Folgenden beschriebenen Arbeiten ausführen.

(fr) Tension électrique dangereuse !

Seules les personnes qualifiées et averties doivent exécuter les travaux ci-après.

(es) ¡Corriente eléctrica! ¡Peligro de muerte!

El trabajo a continuación descrito debe ser realizado por personas cualificadas y advertidas.

(it) Tensione elettrica: Pericolo di morte!

Solo persone abilitate e qualificate possono eseguire le operazioni di seguito riportate.

(zh) 触电危险!

只允许专业人员和受过专业训练的人员进行下列工作。

(ru) Электрический ток! Опасно для жизни!

Только специалисты или проинструктированные лица могут выполнять следующие операции.

(nl) Levensgevaar door elektrische stroom!

Uitsluitelijk deskundigen in elektriciteit en elektrotechnisch geïnstrueerde personen is het toegestaan, de navolgend beschrevene werkzaamheden uit te voeren.

(da) Livsfare på grund af elektrisk strøm!

Kun uddannede el-installatører og personer der er instruerede i elektrotekniske arbejdsopgaver, må udføre de nedenfor anførte arbejder.

(el) Προσοχή, κίνδυνος ηλεκτροπληξίας!

Οι εργασίες που αναφέρονται στη συνέχεια θα πρέπει να εκτελούνται μόνο από ηλεκτρολόγους και ηλεκροτεχνίτες.

(pt) Perigo de vida devido a corrente eléctrica!

Apenas electricistas e pessoas com formação electrotécnica podem executar os trabalhos que a seguir se descrevem.

(sv) Livsfara genom elektrisk ström!

Endast utbildade elektriker och personer som undervisats i elektroteknik får utföra de arbeten som beskrivs nedan.

(fi) Hengenvaarallinen jännite!

Vain pätevät sähköasentajat ja opastusta saaneet henkilöt saavat suorittaa seuraavat työt.



Powering Business Worldwide

(cs) Nebezpečí úrazu elektrickým proudem!

Níže uvedené práce smějí provádět pouze osoby s elektrotechnickým vzděláním.

(et) Eluhtlik! Elektrilöögioht!

Järgnevalt kirjeldatud töid tohib teostada ainult elektriala spetsialist või elektrotehnilise instrueerimise läbinud personal.

(hu) Életveszély az elektromos áram révén!

Csak elektromos szakemberek és elektrotechnikában képzett személyek végezhetik el a következőkben leírt munkákat.

(lv) Elektriskā strāva apdraud dzīvību!

Tālāk aprakstītos darbus drīkst veikt tikai elektrospeciālisti un darbam ar elektrotehnikām ekārtām instruetās personas!

(it) Pavojuş gyvybei dėl elektros srovės!

Tik elektrikai ir elektrotechnikos specialistai gali atlikti žemiau aprašytus darbus.

(pl) Porażenie prądem elektrycznym stanowi zagrożenie dla życia!

Opisane poniżej prace mogą przeprowadzać tylko wykwalifikowani elektrycy oraz osoby odpowiednio poinstruowane w zakresie elektrotechniki.

(sl) Življenjska nevarnost zaradi električnega toka!

Spodaj opisana dela smejo izvajati samo elektrostrokovnjaki in elektrotehnično poučene osebe.

(sk) Nebezpečenstvo ohrozenia života elektrickým prúdom!

Práce, ktoré sú nižšie opísané, smú vykonávať iba elektroodborníci a osoby s elektrotechnickým vzdelaním.

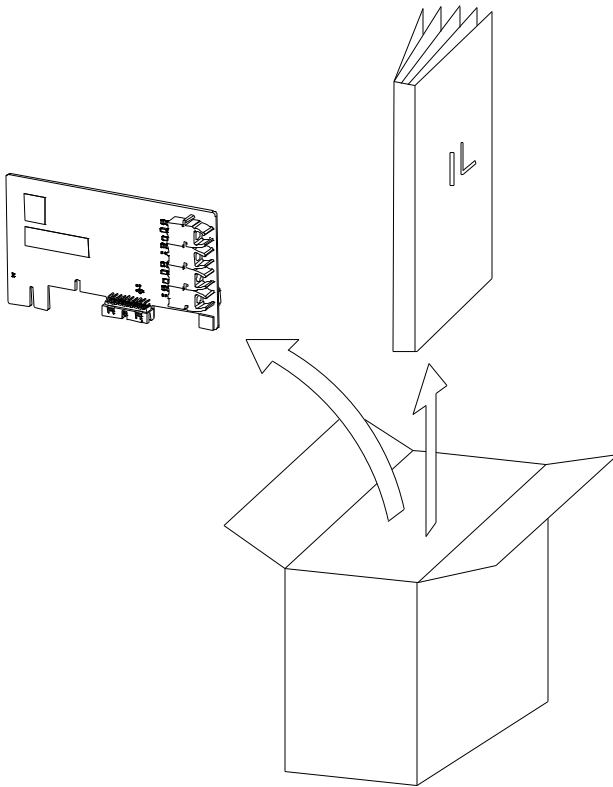
(bg) Опасност за живота от електрически ток!

Операциите, описани в следващите раздели, могат да се извършват само от специалисти-електротехници и инструктиран електротехнически персонал.

(ro) Atenție! Pericol electric!

Toate lucrările descrise trebuie efectuate numai de personal de specialitate calificat și de persoane cu cunoștințe profunde în electrotehnică.

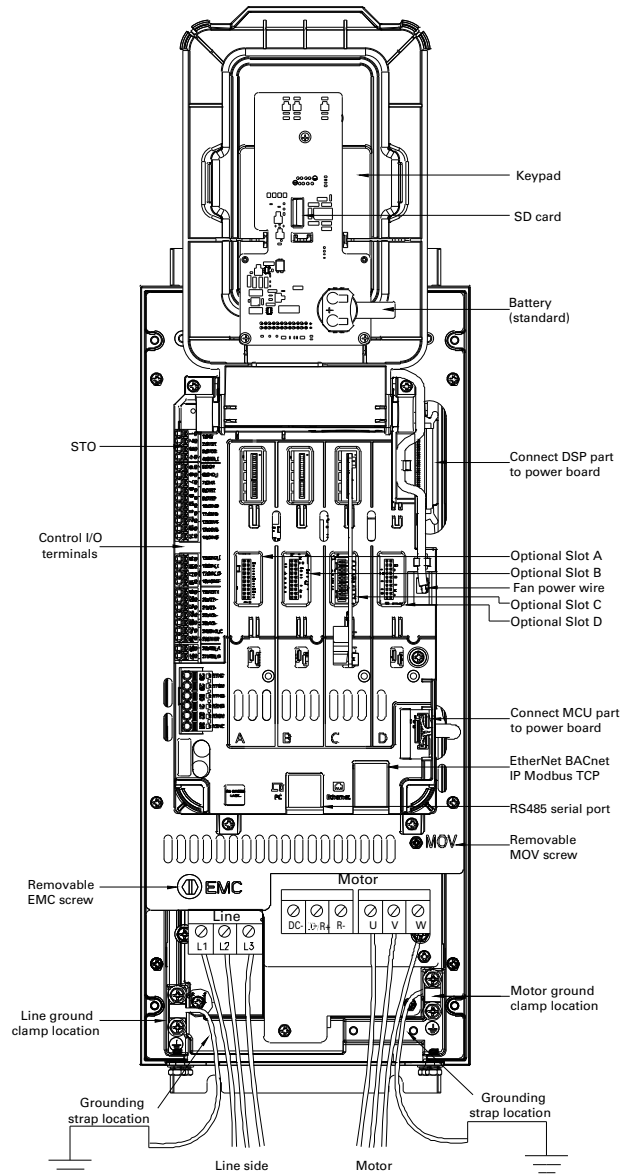
Figure 1. Package contents for the fiber optic card



Option card slot compatibility

PowerXL DX1 has 4 option slots (A, B, C and D) but there is a slot compatibility matrix in place. The figure below shows the orientation of the option card slots.

Figure 2. Power XL variable frequency drive



The table below shows the option cards and their slot compatibility.

Option cards	Description	Slot number
DXX-EXT-3DI3D01T	I01—3 x DI, 3 x DO, 1 x Thermistor, 24 Vdc/EXT option card	Slot A/B/C/D
DXX-EXT-1AI2A0	I02—1 x AI, 2 x AO option card	Slot A/B/C/D
DXX-EXT-3R0	I03—3 x Relay dry contact (2NO + 1NO/NC) option card	Slot A/B/C/D
DXX-EXT-THER1	I04—3 x PT100 RTD thermistor input option card	Slot A/B/C/D
DXX-EXT-6DI	I05—6 x DI 120 Vac / 240 Vac input option card	Slot A/B/C/D
DXX-EXT-ABZ	PowerXL DX1 ABZ Encoder Card	Slot A
DXX-EXT-FS	PowerXL DX1 Functional Safety Card	Slot B
DXX-NET-EIP	PowerXL DX1 Dual-Port EIP Card	Slot D
DXX-NET-PROFINET	PowerXL DX1 Dual-Port ProfiNet Card	Slot D
DXX-EXT-OF	PowerXL DX1 Fiber Optic Card	Slot C

The fiber optic card shall only be installed in **Slot C** of PowerXL DX1 drive.

WARNING

1. Installation of fiber optic card in any other slot will result in a fault condition.
- 2) Power needs to be removed from the PowerXL DX1 before installing / uninstalling an option card.

Fiber optic card installation

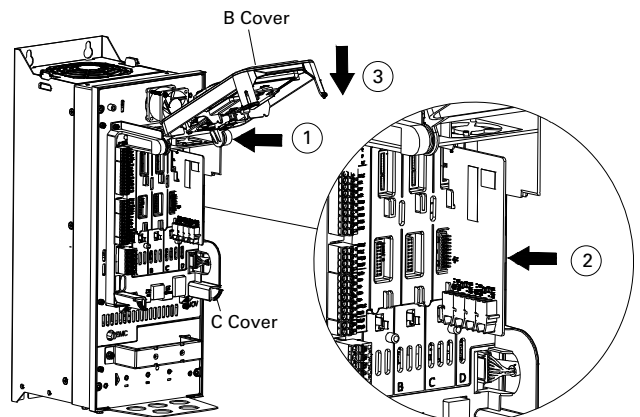
Follow these steps to install the fiber optic card in slot C.

Step 1: Flip the B-cover up and stop at a specific angle (120° or 150°).

Step 2: The table on this page shows the option card—option slot compatibility. Make sure the fiber optic card is inserted in slot C and seated properly.

Step 3: Flip the B-cover down for snap fit with C-cover to fix the option cards firmly.

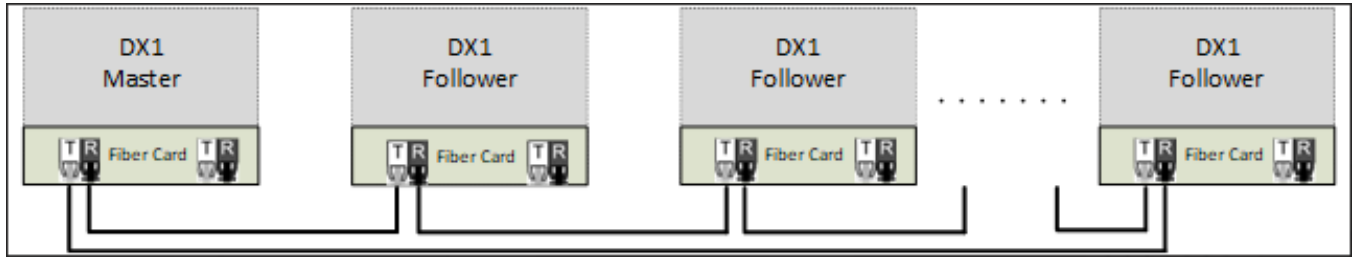
Figure 3. Option cards assembly



Fiber optic card connection for master-follower configurations

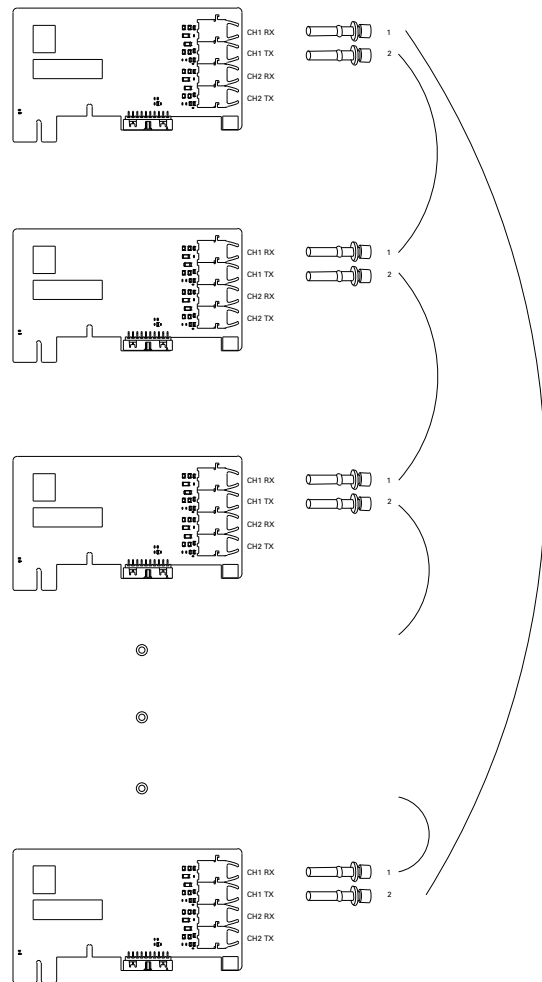
The picture below shows master-follower fiber optic card and cable connection for 2 or more PowerXL DX1 drives:

Figure 4. Master-follower fiber optic card connection



Note: The distance limit for each master-follower pair is 50 m.

Figure 5. Two or more DX1 drives system



Note: Only CH1 is open to customers.

Eaton
1000 Eaton Boulevard
Cleveland, OH 44122
United States
Eaton.com

Eaton Industries GmbH
Hein-Moeller-Str. 7-11, 53115
Bonn, Germany

Eaton Electric Ltd
P.O. Box 554
Abbey Park, Southampton Road
Titchfield, PO14 4QA
United Kingdom



© 2024 Eaton
All Rights Reserved
Printed in USA
Publication No. IL040085EN / ZD29320
August 2024

Eaton is a registered trademark.

All trademarks are property
of their respective owners.