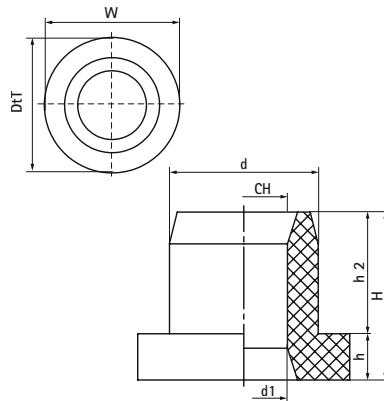


Walraven VibraTek® SA-2 Silent Absorber

(L20551)

silent rubber absorber for isolating metal to metal contact



Features & benefits

- a versatile viscoelastic rubber absorber for preventing metal-to-metal contact in joined or fastened surfaces
- simple installation
- with Ø 14mm hole for use with M10 and M12 threaded rods
- prevents transmission of vibration and noise
- working temperature range -10 °C till 45 °C

| Product Number | VVS Number | Total Height | Total Width | Total Depth | Height | Height 2 | Connection Hole | Recommended Minimum Load Faz | Recommended Maximum Load Faz | Maximum Static Deflection |
|-------------------------|------------|--------------|-------------|-------------|-----------|------------|-----------------|------------------------------|------------------------------|---------------------------|
| <i>Reference letter</i> | | <i>H</i> | <i>W</i> | <i>DtT</i> | <i>h</i> | <i>h 2</i> | <i>CH</i> | | | |
| <i>Unit description</i> | | <i>mm</i> | <i>mm</i> | <i>mm</i> | <i>mm</i> | <i>mm</i> | <i>mm</i> | <i>N</i> | <i>N</i> | <i>mm</i> |
| 2801000300 | 018093723 | 27 | 34 | 34 | 7.3 | 19.2 | 14 | 10 | 250 | 3 |