

# Presence detector P47MR, DALI-2, master, 12 – 13 m, for flush mounting (SnapFit), WAGO WINSTA® MIDI 2 m cable with 5-pol. connector, white

353-651321-1

4 year warranty

This flat and discrete presence detector is a DALI-2 master for DALI lighting control in up to three daylight zones. It can be controlled wirelessly by push buttons. The detector settings can be modified using the Niko detector tool app and 2-way Bluetooth® communication. The Snapfit® mounting system guarantees fast and stable installation. Moreover, the detector is prewired with a cable and a 5-pole female connector that is unique, which helps to avoid installation errors and save time.

This P47 detector is used in installations with standard daylight control applications, mainly with an automatic ON/OFF function. It is suitable for hallways, corridors, offices, classrooms and meeting rooms. The range can be extended with up to five P46 DALI-2 secondary detectors with a 2 m cable and connector. Mind the maximum guaranteed current on the DALI bus.

Finishing colour: white

Compatible secondary detectors: 353-651021-1, 353-751021-1

Compatible controls: 170-00005, 170-00015, 170-70015, 170-70005, 360-21001

- Flat and discrete design
- Daylight control in 1-3 daylight zones
- SnapFit mounting bracket for easy and stable mounting in all types of suspended ceilings with or without removable tiles
- Quick cabling using screwless and easily accessible plug-in terminals
- Screwless strain relief and screwless installation of cable cover
- User-friendly app for settings (iOS/Android)
- 2-way Bluetooth® communication ensures quick modification of settings and live feedback in the app
- Supports DALI broadcast (default) and DALI addressable
- Pre-configured functions:
  - auto configuration when replacing one DALI ballast/DALI device
  - orientation light
  - adjustable power-on level when daylight control is disabled
  - adjustable PIR sensitivity (4 levels)
  - tunable white third-party integration
  - event log keeps track of recent changes
- DALI lighting control can be overridden with a 230 V push button - different options available
- Suitable for controlling up to 64 DALI devices (consider guaranteed current on the DALI bus) (consider guaranteed current on the DALI bus)
- Settings and configuration can be locked with a PIN code
- Web based portal solution for backing up and exchanging configuration files
- Suitable for BMS integration



Bluetooth

DALI



DALI-2



master



360°



ø 12 m from  
a height of  
3 m



2 – 3.5 m



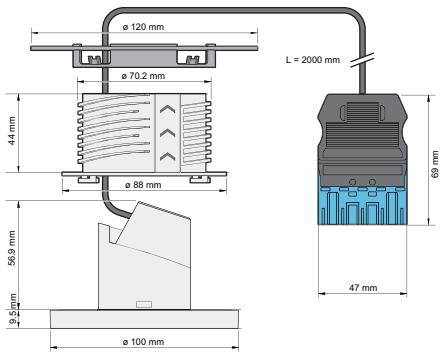
flush-  
mounting  
(SnapFit)

**niko**

## Technical data

Article number	353-651321-1
Compatible secondary detectors	353-651021-1, 353-751021-1
Compatible controls	170-00005, 170-00015, 170-70015, 170-70005, 360-21001
Input voltage	230 Vac $\pm$ 10 %, 50 Hz
Detector output	DALI Broadcast/DALI Addressable
Maximum power consumption	0.5 W
Maximum MCB rating	16 A (limited by national installation rules)
Short circuit behaviour shutdown trigger	voltage below 12 V, exceeding 1.3 s
Short circuit behaviour restart period	every 14 s until success
Maximum voltage on the DALI bus	15 Vdc
Maximum guaranteed current on the DALI bus	100 mA
Maximum supply current	250 mA
Maximum startup time DALI	< 1200 ms
Maximum PIR detection startup time	1 min 10 s
Light intensity range	20 lux – 2000 lux, $\infty$
Maximum number of control gear on the DALI bus	64
Maximum number of dimmable zones	3
Switch-off delay	pulse, 20 s – 2 h, $\infty$
Detection angle	360°
Detection range (PIR)	$\varnothing$ 12 m from a height of 3 m
Ambient temperature	-25 – +40 °C
Mounting method	flush-mounting (SnapFit)
Mounting height	2 – 3.5 m
Drill diameter	76 mm
Minimum flush-mounting depth	56.9 mm
Colour	white (approximately RAL 9010)
Maximum range Bluetooth® (free field, depending on the device)	50 m
Operating frequency	2.4 GHz
Maximum radio frequency power	-2 dBm
Protection degree	IP20
Impact resistance	IK02
Modification of settings	Niko detector tool app (iOS-Android) and 2-way Bluetooth® communication
Halogen-free	yes
Marking	CE
Cable specifications	– cable colour: black
– length: 2 m	
– wire cross-section: 1,5 mm <sup>2</sup>	
– voltage: 400 V	
– rated current: 16 A	
– halogen-free: yes	
– ambient temperature: -5 – +40°C	
– type of connector: male, 5-pole, blue	

## Dimensions



## Wiring diagram

