

Walraven VibraTek® SA-3 Silent Absorber

(L20554)

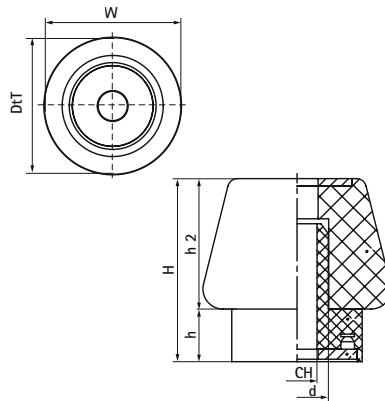
silent rubber absorber for isolating metal to metal contact



2801100300



2801100450



Features & benefits

- formed of two rubber parts which fit into each other, making it suitable for various fixing plate thicknesses
- ideal isolation of HVAC equipment
- for use with M8 threaded rods
- a versatile viscoelastic two-piece rubber absorber for preventing metal-to-metal contact in joined or fastened surfaces
- simple installation
- prevents transmission of vibration and noise
- working temperature range -10 °C till 45 °C

| Product Number | Total Height | Total Width | Total Depth | Height | Height 2 | Connection Hole | Recommended Minimum Load Faz | Recommended Maximum Load Faz | Maximum Static Deflection |
|------------------|--------------|-------------|-------------|--------|----------|-----------------|------------------------------|------------------------------|---------------------------|
| Reference letter | H | W | DtT | h | h 2 | CH | | | |
| Unit description | mm | mm | mm | mm | mm | mm | N | N | mm |
| 2801100300 | 37 | 38 | 38 | 10.5 | 26 | 8 | 5 | 200 | 7 |
| 2801100450 | 37 | 38 | 38 | 10.5 | 26 | 8 | 10 | 400 | 7 |