

PROLUMIA®

PRODISC III

SURFACE MOUNTED LUMINAIRES

A SOPHISTICATED LIGHTING SOLUTION
WITH VERSATILE FUNCTIONALITY
FOR LONG-LASTING, CARE-FREE USER COMFORT

NOW
AVAILABLE WITH
SENSELINK
OR PIR SENSOR



SenseLink     YEARS WARRANTY



PRODISC III

SURFACE MOUNTED LUMINAIRES

A SOPHISTICATED LIGHTING SOLUTION WITH VERSATILE FUNCTIONALITY FOR LONG-LASTING, CARE-FREE USER COMFORT

Technologically advanced with thoughtful design, further developed based on the Prodisc success formula. Prodisc III offers everything Prolumia lighting is known for: modern technology, energy-efficiency and a myriad of optional settings. The product comes with an indestructible housing that is easy to install on walls or ceilings. Prodisc III is an affordable luminaire that provides long-lasting and carefree ease of use.

FEATURES & PROPERTIES

- Available in standard, sensor & emergency versions
- Corridor function / master-slave option on sensor versions
- SenseLink sensor versions for wireless group control
- Adjustable color temperature: 3000 / 3500 / 4000 K
- Adjustable brightness (lumen output) level
- Efficiency of standard versions up to 125 lm/W

GENERAL SPECIFICATIONS

Type of luminaire	Surface mounted
Application	Wall, ceiling
Installation environment	Indoor
Lighting purpose	General, functional
Luminaire versions	Standard, SenseLink-sensor, emergency ¹⁾ , SenseLink + emergency ¹⁾ , PIR-sensor, PIR-sensor + emergency ¹⁾
Electrical safety class	Class II
AC-voltage & frequency	220-240 V AC 50-60 Hz, 220 V DC ²⁾
Driver type	Constant current
Light source type	LED (type SMD 2835)
System power (min. - max.)	4.5 - 24.5 W
Luminous flux (min. - max.) at 4000 K	485 - 2,450 lm
Luminous flux adjustable	2 settings ³⁾ / 4 settings
Light color	3000 / 3500 / 4000 K
Light color adjustable	3 positions
Color Rendering Index	Ra >80
Optics	Lens + diffuser (opal)
Lighting angle	120° round symmetrical
System of protection	IP54
Impact resistance	IK10 (PIR-versions: IK03)
Median useful life	L90 >50,000 hours L80 >100,000 hours
Operating temperature	-25°C to +50°C ⁴⁾
Material	Polycarbonate housing and diffuser
Color/finishing	White or black / Matte finish
Certification	CE
Warranty period	5 years (3 years on emergency battery)

¹⁾ Emergency unit only available with Prodisc | Ø 335 mm

²⁾ Applicable to standard versions only

³⁾ Luminous flux adjustable in 2 settings applicable to Mini version

⁴⁾ Temperature range versions w. emergency: 0°C to +50°C

APPLICATIONS

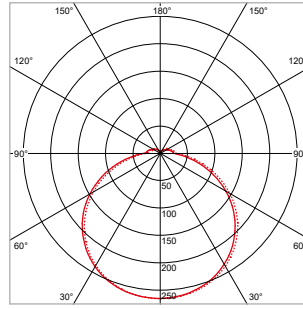
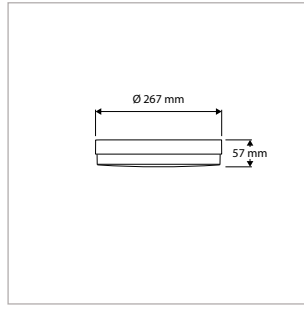
Entrances, halls, corridors, stairwells, lift lobbies, storerooms, toilets, bathrooms, etc.

MORE INFO ABOUT
PRODISC III ONLINE:



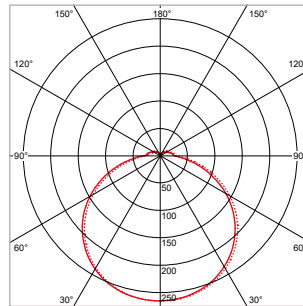
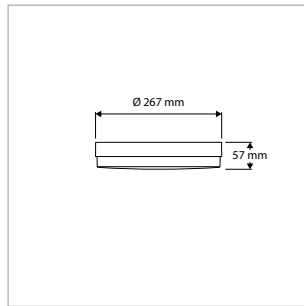
SenseLink





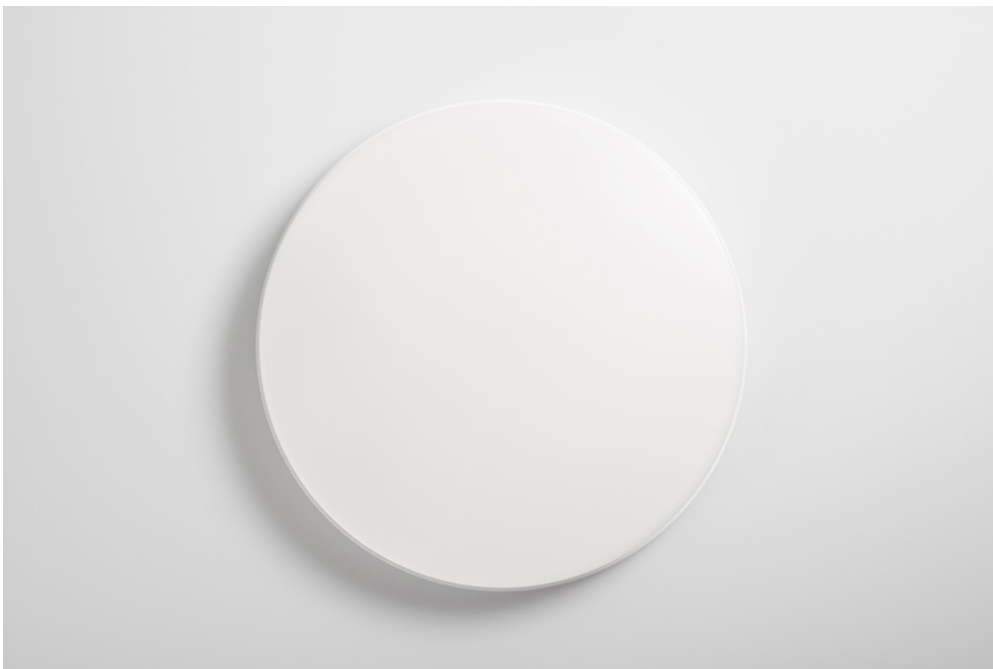
PRODISC III MINI - SURFACE-MOUNTED - IP54 - ROUND - Ø 267 x H 57 mm - WHITE

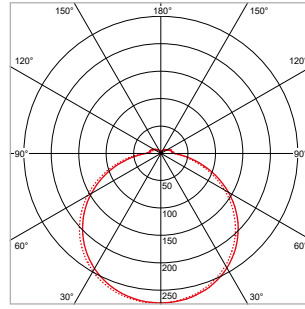
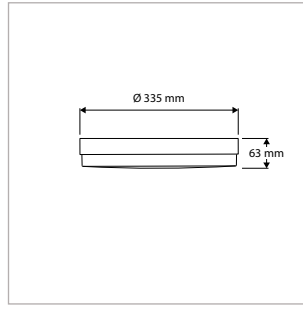
VERSION	CCT	CRI	LIGHT OUTPUT	POWER	DRIVER	ART. NO.	STOCK
Standard	3000 / 3500 / 4000 K	Ra >80	485 / 970 lm	4.5 / 9.0 W	On / Off	40008280	☺
SenseLink Sensor	3000 / 3500 / 4000 K	Ra >80	485 / 970 lm	5.0 / 9.5 W	On / Off	40008281	☺



PRODISC III MINI - SURFACE-MOUNTED - IP54 - ROUND - Ø 267 x H 57 mm - BLACK

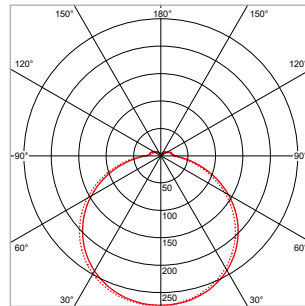
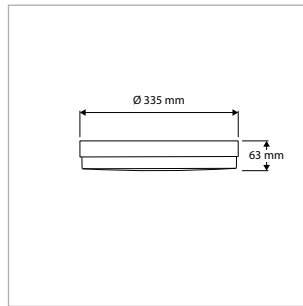
VERSION	CCT	CRI	LIGHT OUTPUT	POWER	DRIVER	ART. NO.	STOCK
Standard	3000 / 3500 / 4000 K	Ra >80	440 / 880 lm	4.5 / 9.0 W	On / Off	40008285	☺
SenseLink Sensor	3000 / 3500 / 4000 K	Ra >80	440 / 880 lm	5.0 / 9.5 W	On / Off	40008286	☺





PRODISC III - SURFACE-MOUNTED - IP54 - ROUND - Ø 335 x H 63 mm - WHITE

VERSION	CCT	CRI	LIGHT OUTPUT	POWER	DRIVER	ART. NO.	STOCK
Standard	3000 / 3500 / 4000 K	Ra >80	850 / 1,190 / 1,700 / 2,450 lm	6.4 / 9.4 / 14.1 / 21.3 W	On / Off	40008270	☺
SenseLink Sensor	3000 / 3500 / 4000 K	Ra >80	850 / 1,190 / 1,700 / 2,450 lm	6.9 / 9.9 / 14.6 / 21.8 W	On / Off	40008271	☺
Emergency	3000 / 3500 / 4000 K	Ra >80	850 / 1,190 / 1,700 / 2,450 lm	8.0 / 11.0 / 16.0 / 24.0 W	On / Off	40008272	☺
SenseLink Sensor + Emergency	3000 / 3500 / 4000 K	Ra >80	850 / 1,190 / 1,700 / 2,450 lm	8.5 / 11.5 / 16.5 / 24.5 W	On / Off	40008273	☺



PRODISC III - SURFACE-MOUNTED - IP54 - ROUND - Ø 335 x H 63 mm - BLACK

VERSION	CCT	CRI	LIGHT OUTPUT	POWER	DRIVER	ART. NO.	STOCK
Standard	3000 / 3500 / 4000 K	Ra >80	750 / 1,050 / 1,500 / 2,150 lm	6.4 / 9.4 / 14.1 / 21.3 W	On / Off	40008275	☺
SenseLink Sensor	3000 / 3500 / 4000 K	Ra >80	750 / 1,050 / 1,500 / 2,150 lm	6.9 / 9.9 / 14.6 / 21.8 W	On / Off	40008276	☺
Emergency	3000 / 3500 / 4000 K	Ra >80	750 / 1,050 / 1,500 / 2,150 lm	8.0 / 11.0 / 16.0 / 24.0 W	On / Off	40008277	☺
SenseLink Sensor + Emergency	3000 / 3500 / 4000 K	Ra >80	750 / 1,050 / 1,500 / 2,150 lm	8.5 / 11.5 / 16.5 / 24.5 W	On / Off	40008278	☺

PRODISC III - ACCESSORIES

DESCRIPTION	ART. NO.	STOCK
Remote control for SenseLink wireless grouping sensors, incl. battery	40008290	☺



40008290

ECODESIGN

AIMING TO IMPROVE CIRCULARITY,
ENERGY PERFORMANCE, RECYCLABILITY
AND DURABILITY

SMOOTH, UNIFORM LIGHT DISTRIBUTION

IK10 impact resistant opal diffuser (non-PIR versions).

ECODESIGN

Sustainable construction with replaceable components, such as LED driver and PCB.

UP TO 125 LM/W HIGH EFFICIENCY

Saves energy and supports sustainability goals.

ADJUSTABLE CCT

3000, 3500 or 4000 K, to meet the requirements for both residential and commercial applications.

ADJUSTABLE BRIGHTNESS

Multi-level adjustable lumen output to provide the ideal amount of light.

RELIABLE

IP54 splash-water resistant housing and L80 >100,000 hours life time.

MOTION & DAYLIGHT SENSOR

Corridor function for optimized comfort and energy savings.

SenseLink Wireless Grouping Motion Sensor:
Flexible configuration thanks to wired / wireless master-slave control.

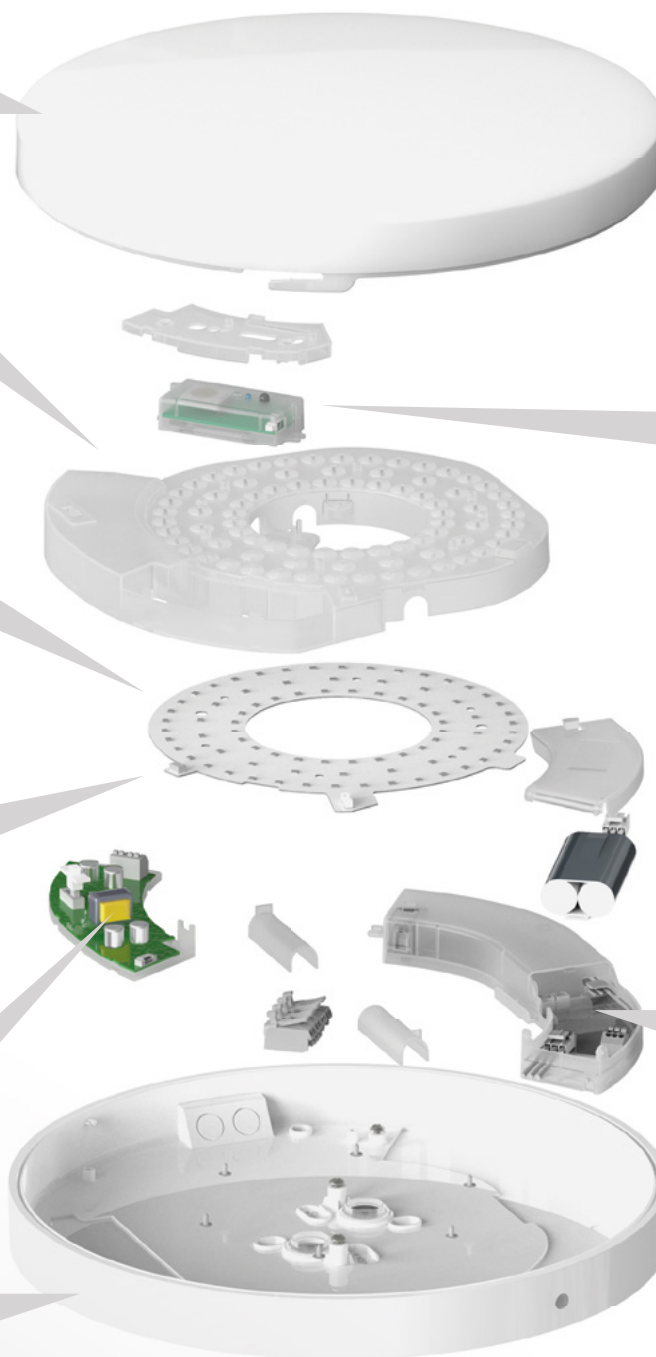


PIR Sensor:
Ideal for clear defined detection area

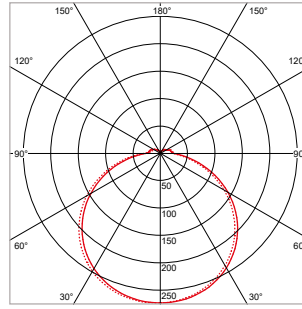
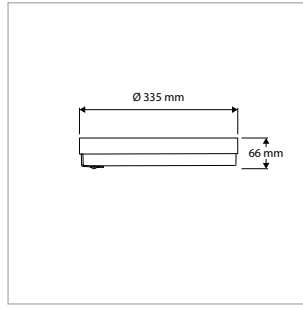


EMERGENCY UNIT W. AUTO- TEST FUNCTION

Cost and time-savings for facility managers.

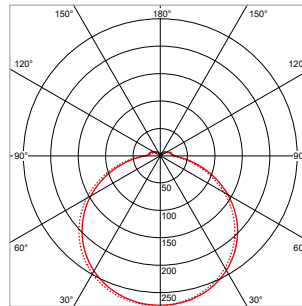
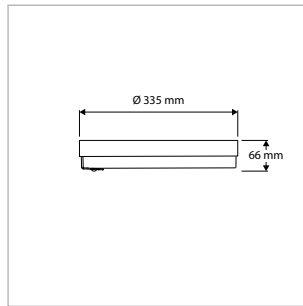


**ACCESSIBLE.
REPLACEABLE.
SUSTAINABLE.**



PRODISC III - SURFACE-MOUNTED - IP54 - ROUND - Ø 335 x H 66 mm - WHITE - PIR-SENSOR

VERSION	CCT	CRI	LIGHT OUTPUT	POWER	DRIVER	ART. NO.	STOCK
PIR-Sensor	3000 / 3500 / 4000 K	Ra >80	850 / 1,190 / 1,700 / 2,450 lm	6.9 / 9.9 / 14.6 / 21.8 W	On / Off	40008240	-
PIR-Sensor + Emergency	3000 / 3500 / 4000 K	Ra >80	850 / 1,190 / 1,700 / 2,450 lm	8.5 / 11.5 / 16.5 / 24.5 W	On / Off	40008241	-



PRODISC III - SURFACE-MOUNTED - IP54 - ROUND - Ø 335 x H 66 mm - BLACK - PIR-SENSOR

VERSION	CCT	CRI	LIGHT OUTPUT	POWER	DRIVER	ART. NO.	STOCK
PIR-Sensor	3000 / 3500 / 4000 K	Ra >80	750 / 1,050 / 1,500 / 2,150 lm	6.9 / 9.9 / 14.6 / 21.8 W	On / Off	40008245	-
PIR-Sensor + Emergency	3000 / 3500 / 4000 K	Ra >80	750 / 1,050 / 1,500 / 2,150 lm	8.5 / 11.5 / 16.5 / 24.5 W	On / Off	40008246	-





PROLUMIA®

PROLUMIA NL

Riga 10
2993 LW BARENDRECHT
T +31 (0)180 64 54 00
E info@prolumia.nl

PROLUMIA BE

Saffierstraat 5 - Unit 10A
2200 HERENTALS
T +32 (0)14 25 07 70
E info@prolumia.be

PROLUMIA CZ

Ke Slivenci 48
154 00 PRAHA 5 - LOCHKOV
T +420 222 563 003
E info@prolumia.cz

PROLUMIA DE

Feldbergstraße 57
61440 OBERURSEL
T +49 6171 8989 594
E info@prolumia.de

**MORE INFO ABOUT
PRODISC III ONLINE:**



Version: 1.2 - 2026-03

Nedelko B.V. pays the utmost attention to its catalog and reliability and actuality of the information contained therein. Despite all care, inaccuracies and omissions can not always be prevented. Nedelko B.V. is not liable for errors or inaccuracies. For the most current information please contact our sales department.