

Presence detector P42MR, 230 V, master, 12 – 13 m, for flush mounting (SnapFit), WAGO WINSTA® MIDI 2 X 2 m cable with 3-pol. connectors, white

353-601121-2

4 year warranty

This flat and discrete presence detector is single-channel master detector for automatic lighting control. The Snapfit® mounting system guarantees fast and stable installation. Moreover, the detector is prewired with cables and 3-pole male and female connectors that are each unique, which helps to avoid installation errors and save time.

This P42 detector with two cables is suitable for ON/OFF lighting control in hallways, printer rooms, toilets and storage rooms. It is used in installations with standard daylight control applications, mainly with automatic ON/OFF function:

- Preprogrammed for automatic ON/OFF
- Preprogrammed settings can be changed via the Niko detector tool app and 2-way Bluetooth® communication (e.g. lux and switch-off time delay)

Lighting control can be overridden with a Bluetooth® push button.

Finishing colour: white

Compatible controls: 170-00005, 170-00015, 170-70015, 170-70005, 360-21001

- Flat and discrete design
- SnapFit mounting bracket for easy and stable mounting in all types of suspended ceilings with or without removable tiles
- Quick cabling using screwless and easily accessible plug-in terminals
- Screwless strain relief and screwless installation of cable cover
- User-friendly app for settings (iOS/Android)
- 2-way Bluetooth® communication ensures quick modification of settings and live feedback in the app
- Pre-configured functions:
 - adjustable PIR sensitivity (4 levels)
 - event log keeps track of recent changes
- Detection range can be increased using up to 10 secondary detectors
- Wireless communication between master and secondary detectors with a repeater function
- Robust potential-free relay
- Automatic lighting control can be overridden with a 230 V push button - different options available
- Settings and configuration can be locked with a PIN code
- Web based portal solution for backing up and exchanging configuration files



Bluetooth®



230 V



master



360°



ø 12 m from
a height of
3 m



2 - 3.5 m



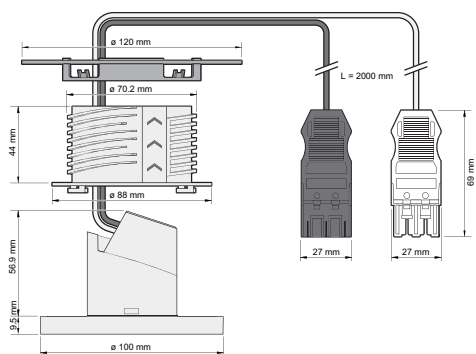
flush-
mounting
(SnapFit)

niko

Technical data

Article number	353-601121-2
Compatible controls	170-00005, 170-00015, 170-70015, 170-70005, 360-21001
Input voltage	230 Vac \pm 10 %, 50 Hz
Detector output	230 V (ON/OFF)
Maximum power consumption	0.2 W
Maximum MCB rating	16 A (limited by national installation rules)
Relay contact	N.O. (max. 10 A), potential-free
Maximum load incandescent and halogen lamps ($\cos\phi = 1$)	2300 W
Maximum load fluorescent lamps ($\cos\phi \geq 0.5$)	1200 VA
Maximum load economy lamps (CFLi)	350 W
Maximum load LED lamps 230 V	350 W
Maximum load LED driver	500 VA
Maximum load electronic transformer	500 VA
Maximum capacitive load	140 μ F
Maximum switching current	165 A/20 ms – 800 A/200 μ s
Light intensity range	20 lux – 2000 lux, ∞
Number of channels	1 channel
Maximum number of secondary detectors	10
Switch-off delay	pulse, 15 s – 2 h, ∞
Detection angle	360°
Detection range (PIR)	\varnothing 12 m from a height of 3 m
Ambient temperature	-25 – +40 °C
Mounting method	flush-mounting (SnapFit)
Mounting height	2 – 3.5 m
Drill diameter	76 mm
Minimum flush-mounting depth	56.9 mm
Colour	white (approximately RAL 9010)
Maximum range Bluetooth® (free field, depending on the device)	50 m
Operating frequency	2.4 GHz
Maximum radio frequency power	-2 dBm
Protection degree	IP20
Impact resistance	IK02
Modification of settings	Niko detector tool app (iOS-Android) and 2-way Bluetooth® communication
Halogen-free	yes
Marking	CE
Cable specifications	– cable colour wire 1: black
– cable colour wire 2: white	
– length: 2 m	
– wire cross section: 1,5 mm ²	
– voltage: 250 V	
– rated current: 16 A	
– halogen-free: yes	
– ambient temperature: -5 – +40°C	
– type of connector cable 1: male, 3-pole, black	
– type of connector cable 2: female, 3-pole, white	

Dimensions



Wiring diagram

230 Vac

