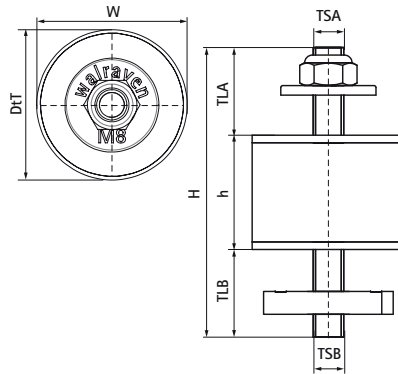


Walraven VibraTek® SB-MM Silentblock RapidStrut®

(E0506)

cylindrical dampers pre-assembled for fixing on RapidStrut® rails



Features & benefits

- for vibration free fixing of devices to eg cantilever arms
- with pre-assembled Walraven RapidStrut® slide nut for quick installation
- to be used for pressure load only (standing mounted)
- material: vulcanized rubber, black; metal parts zinc plated
- sound insulating according DIN 4109

Product Number	Thread Size A	Thread Size B	Thread Length A	Thread Length B	Total Height	Total Width	Total Depth	Height	Maximum Allowed Load Faz
Reference letter	TSA	TSB	TLA	TLB	H	W	DtT	h	F _{a,z}
Unit description			mm	mm	mm	mm	mm	mm	N
4125010	M8	M8	23	23	76	40	40	30	550