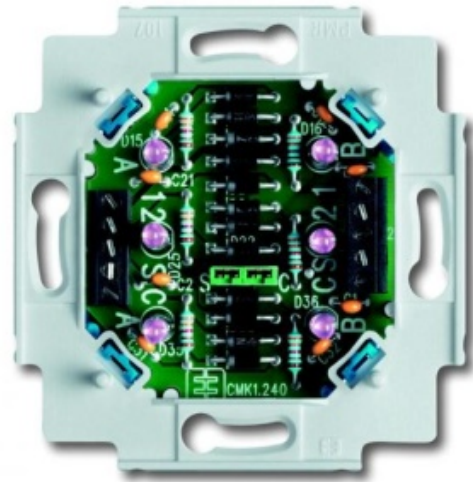


Operating Instructions Busch-Infoline®

1566 U-500
6gang
Indicator insert



1	Safety.....	3
2	Intended use	3
3	Environment.....	3
4	Technical data.....	4
5	Setup and function.....	4
5.1	Features of function and equipment.....	4
5.2	Possible combinations	5
6	Installation and electrical connection	6
6.1	Requirements for the electrician	6
6.2	Electrical connection	7
6.3	Mounting the device insert	8
6.4	Division into potential-separated groups	8

1 Safety



Warning

Electric voltage!

Risk of death and fire due to electrical voltage of 230 V.

- Work on the 230V supply system may only be performed by authorised electricians!
- Disconnect the mains power supply prior to installation and/or disassembly!

2 Intended use

The device is to be used exclusively with the components that are supplied and licensed as described in chapter "Setup and function".

3 Environment



Consider the protection of the environment!

Used electric and electronic devices must not be disposed of with domestic waste.

- The device contains valuable raw materials which can be recycled. Therefore, dispose of the device at the appropriate collecting depot.

All packaging materials and devices bear the markings and test seals for proper disposal. Always dispose of the packaging material and electric devices and their components via the authorized collecting depots and disposal companies.

The products meet the legal requirements, in particular the laws governing electronic and electrical devices and the REACH ordinance.

(EU Directive 2002/96/EC WEEE and 2002/95/EC RoHS)

(EU REACH ordinance and law for the implementation of the ordinance (EC) No.1907/2006)

4 Technical data

General	
Nominal voltage	15 V AC, ±10%
Rated frequency	50/60 Hz
Nominal current	24 mA AC / 42 mA DC
Protective class	IP 20
Type of protection for device	SELV
Operating temperature range	5 ... 40 °C
Inputs	6

5 Setup and function

5.1 Features of function and equipment

- For the indication of up to six independent alarm and/or status messages.
- Division into 2 potential-separated groups possible.
- Additional group signal terminal for connecting additional Busch-Infoline® signal generators.

5.2 Possible combinations

	Indicator insert
	 1566 U-500
 1518 U	X
 1511 U	X
 1515 U-12	X
 1531 U	X
 1575 CN-214	X
 1575 CN-84	X

6 Installation and electrical connection



Warning

Electric voltage!

Risk of death due to electrical voltage of 230 V during short-circuit in the low-voltage line.

- Low-voltage and 230 V lines must not be installed together in a flush-mounted socket!

6.1 Requirements for the electrician



Warning

Electric voltage!

Install the device only if you have the necessary electrical engineering knowledge and experience.

- Incorrect installation endangers your life and that of the user of the electrical system.
- Incorrect installation can cause serious damage to property, e.g. due to fire.

The minimum necessary expert knowledge and requirements for the installation are as follows:

- Apply the "five safety rules" (DIN VDE 0105, EN 50110):
 1. Disconnect from power;
 2. Secure against being re-connected;
 3. Ensure there is no voltage;
 4. Connect to earth and short-circuit;
 5. Cover or barricade adjacent live parts.
- Use suitable personal protective clothing.
- Use only suitable tools and measuring devices.
- Check the supply network type (TN system, IT system, TT system) to secure the following power supply conditions (classic connection to ground, protective earthing, necessary additional measures, etc.).

6.2 Electrical connection

Circuit diagrams

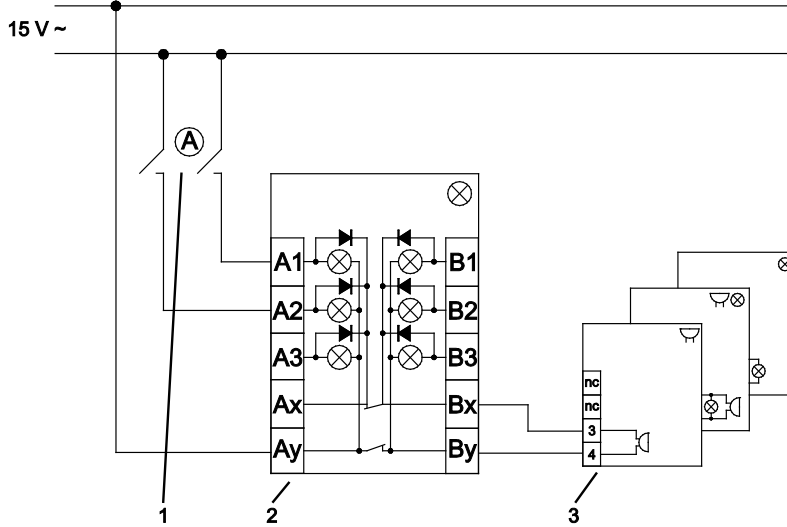


Fig. 1: Circuit diagram of alarm signal insert as a single group

1 Normally open contact for LED activation | 2 Signal panel insert | 3 Signal generator

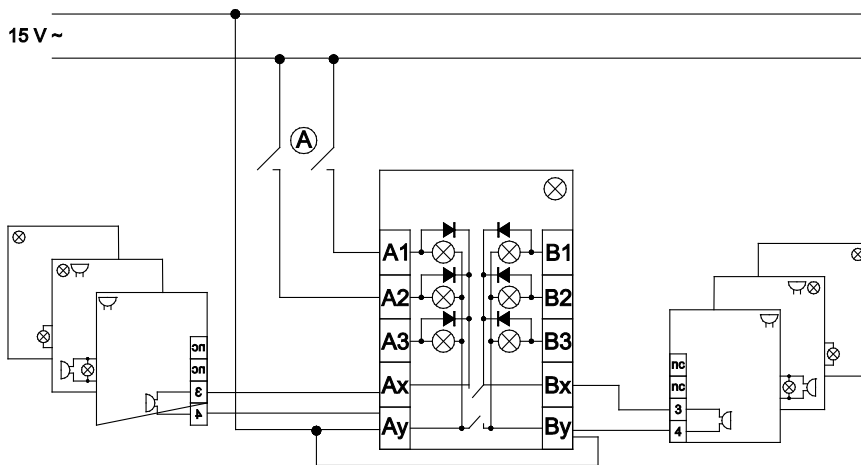


Fig. 2: Circuit diagram of signal panel insert as two groups

Terminal assignment

Signal panel insert 1566 U-500

Terminal designation	Assignment
A1	Inputs for alarm / status signals
A2	
A3	
AX	Group signal output of 1st group (A1, A2, A3)
Ay	
B1	Inputs for alarm / status signals
B2	
B3	
Bx	Group signal output of 2nd group (B1, B2, B3)
By	

6.3 Mounting the device insert

1. Mount the device in a flush-mounted box according to DIN 049073-1.
2. Fix the device in the flush-mounted box with screws.
3. Mount the elements of the cover plate in the sequence shown in the illustration.

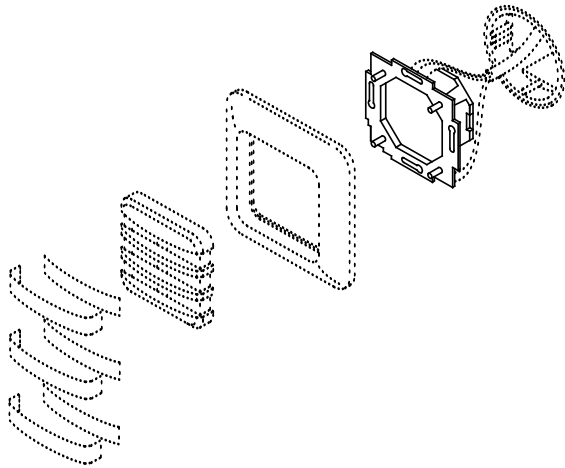


Fig. 4: Overview of installation

6.4 Division into potential-separated groups

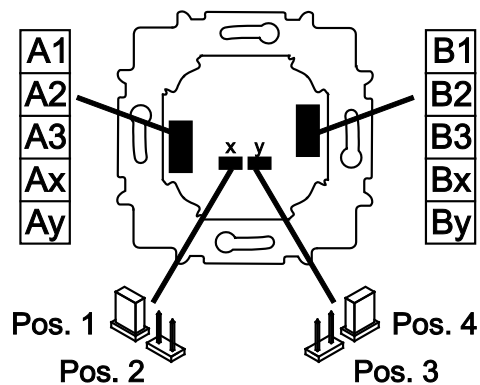


Fig. 5: Indicator insert 1566 U-500

Position	Division
Pos. 1	One group A1 + A2 + A3 + B1 + B2 + B3
Pos. 4	
Pos. 2	Two potential-separated groups (A1, A2, A3) + (B1, B2, B3).
Pos. 3	

A member of the ABB Group

Busch-Jaeger Elektro GmbH

PO box
58505 Lüdenscheid

Freisenbergstraße 2
58513 Lüdenscheid
Germany

www.BUSCH-JAEGER.com

info.bje@de.abb.com

Central sales service:

Phone: +49 (0) 2351 956-1600

Fax: +49 (0) 2351 956-1700

Notice

We reserve the right to at all times make technical changes as well as changes to the contents of this document without prior notice.

The detailed specifications agreed to at the time of ordering apply to all orders. ABB accepts no responsibility for possible errors or incompleteness in this document.

We reserve all rights to this document and the topics and illustrations contained therein. The document and its contents, or extracts thereof, must not be reproduced, transmitted or reused by third parties without prior written consent by ABB.

Copyright© 2012 Busch-Jaeger Elektro GmbH
All rights reserved