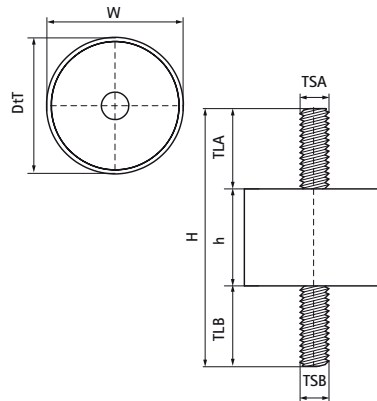


## Walraven Silentbloc Type A

(E0505)

cylindrical dampers for damping vibrations



### Features & benefits

- for vibration free fixing of devices to eg cantilever arms or rails
- to be used for pressure load only (standing mounted)
- material: vulcanized rubber, black; metal parts zinc plated
- sound insulating according DIN 4109

Product Number	Thread Size A	Thread Size B	Thread Length A	Thread Length B	Total Height	Total Width	Total Depth	Height	Maximum Allowed Load Faz
Reference letter	TSA	TSB	TLA	TLB	H	W	DeT	h	F <sub>a,z</sub>
Unit description			mm	mm	mm	mm	mm	mm	N
4125009	M8	M8	23	23	76	40	40	30	550