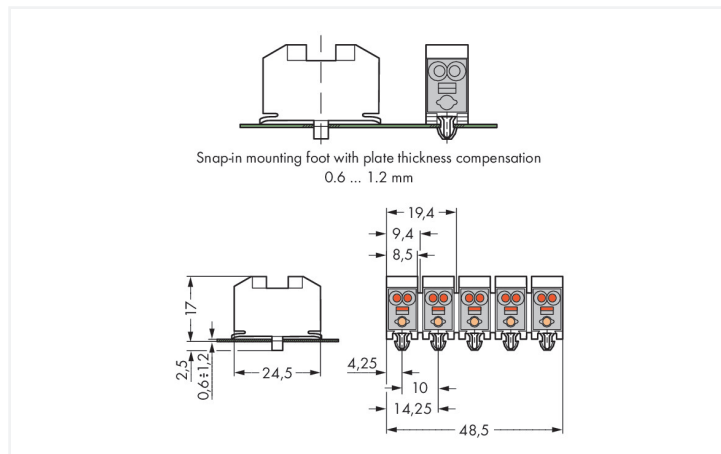


## Data Sheet | Item Number: 272-133/130-000

Power supply connector; without push-buttons; with snap-in mounting feet; without ground contact; 3-pole; white

<https://www.wago.com/272-133/130-000>



Color: ■ white

Similar to illustration

Dimensions in mm

Field-wiring terminal block, 272 Series, white

Our field-wiring terminal block (item number 272-133/130-000) is the ideal way to connect conductors quickly and easily. Ensure that the strip lengths are between 8 and 9 mm when connecting conductors to this field-wiring terminal block. This product features one conductor terminal and utilizes PUSH WIRE®. Our PUSH WIRE® connection is the simple and reliable method for connecting solid conductors. Dimensions: (28.5 x 19.5 x 24.5) mm (width x height x depth).

### Electrical data

Ratings per	IEC/EN 60664-1		
Overvoltage category	III	III	II
Pollution degree	3	2	2
Nominal voltage	-	400 V	-
Rated impulse withstand voltage	-	4 kV	-
Rated current	-	18 A	-

### Connection Data

Clamping units	12
Total number of potentials	3
Number of connection types	1

#### Connection 1

Connection technology	PUSH WIRE®
Strip length	8 ... 9 mm / 0.31 ... 0.35 inches
Pole number	3

### Physical data

Width	28.5 mm / 1.122 inches
Height	19.5 mm / 0.767 inches
Depth	24.5 mm / 0.965 inches

### Material data

Note (material data)	<a href="#">Information on material specifications can be found here</a>
Color	white
Material group	I
Insulation material (main housing)	Polyamide (PA66)
Flammability class per UL94	V0
Fire load	0.143 MJ
Weight	10.1 g

### Commercial data

Product Group	8 (Misc. Chassis Mount Blocks)
PU (SPU)	500 pcs
Packaging type	Bag
Country of origin	DE
GTIN	4066966373868
Customs tariff number	85369010000

### Product Classification

UNSPSC	39121410
eCl@ss 10.0	27-14-11-04
eCl@ss 9.0	27-14-11-04
ETIM 9.0	EC000446
ETIM 10.0	EC000446
ECCN	NO US CLASSIFICATION

### Environmental Product Compliance

RoHS Compliance Status	Compliant, No Exemption
------------------------	-------------------------

### Approvals / Certificates

#### General approvals



Approval	Standard	Certificate Name
CSA DEKRA Certification B.V.	C22.2 No. 158	70048844

## Downloads

### Environmental Product Compliance

#### Compliance Search

Environmental Product  
Compliance  
272-133/130-000



## Documentation

### Additional Information

Technical Section

03.04.2019

pdf

2027.26 KB



## 1 Compatible Products

### 1.1 Optional Accessories

#### 1.1.1 Tool

##### 1.1.1.1 Operating tool



[Item No.: 271-120](#)

Push-button; white