



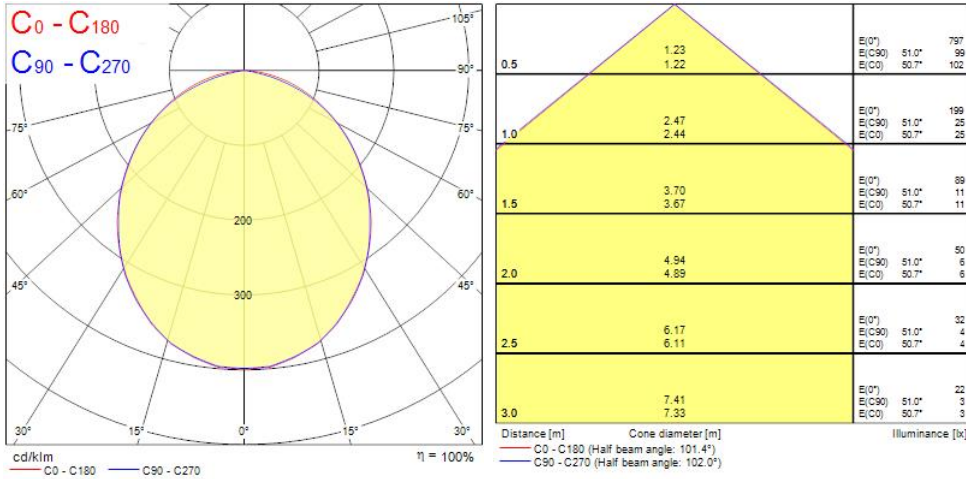
Features

- Integrated LED recessed spotlight, fixed, RAL9016 colour, 500lm, 7.0W, phase dim-to-warm trailing/leading edge, 3000K to 2200K, 100° degree beam angle, polycarbonate white body, low profile 47mm recessed depth, IP65 from the front, IK03, loop-in/loop-out terminals for fast wiring, 86mm bezel diameter, 68-74mm cutout, frosted lens. Additional silver bezel included in the packaging.

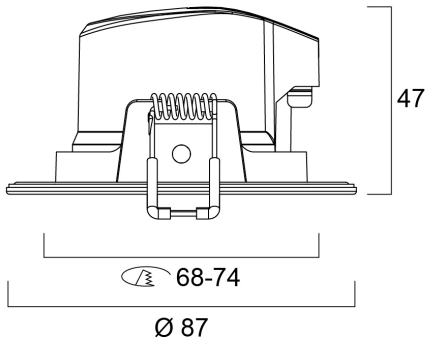
Product Overview

Product name	SYLSPOT 500LM IP65 SUNDIM WHT
Technology	LED
Cap/Base	N/A
Housing	PC Polycarbonate
Mount	Ceiling recessed mounting
Environment	Indoor
Fixture luminous flux (lm)	500
Luminaire efficacy (lm/W)	71
Light colour	Warm White-Candlelight
CRI (Ra)	80
Colour Variation Initial (SDCM)	6
Photobiological Risk Group	RG0
Total power consumption (W)	7
Electrical protection	Class II
Control gear type	LED driver constant current
LED Flickering Rate	Medium (21% - 40%)
Housing colour	White
IP rating	IP65/20
IK rating	IK03
Product EAN number	5410288052823
Warranty	3 years
Colour Code	830

Photometry



Technical drawings



Data table

GENERAL DATA

Product name

SYLSPOT 500LM IP65 SUNDIM WHT

SYLSPOT 500LM IP65 SUNDIM WHT 0005282

Technology	LED
Cap/Base	N/A
Housing	PC Polycarbonate
Mount	Ceiling recessed mounting
Environment	Indoor
Operating temperature range (°C)	-10°C...+40°C
Performance ambient temperature Tq (°C)	25
Warranty	3 years

OPTICAL DATA

Fixture luminous flux (lm)	500
Luminaire efficacy (lm/W)	71
Correlated colour temperature range (K)	2200 - 3000
Colour Code	830
Light colour	Warm White-Candlelight
CRI (Ra)	80
Colour Variation Initial (SDCM)	6
Photobiological Risk Group	RG0
Lumen maintenance at end of nominal life (%)	70

ELECTRICAL DATA

Total power consumption (W)	7
Primary Supply/Product voltage - min (V)	220
Lamp power factor	0.90
Electrical protection	Class II
Control gear required	No
Control gear type	LED driver constant current
Drive current - Range (mA)	7mA / 70mA
Inrush Current (A)	10
Inrush Duration (µs)	200
Glow Wire Test (°C)	650

SYLSPOT 500LM IP65 SUNDIM WHT 0005282

Energy Efficiency Class (A->G) of contained light source	E
Nominal Frequency (Hz)	50/60Hz
LED Flickering Rate	Medium (21% - 40%)
Max. products per 10A C Breaker	60
Connectable conductor cross section - Min (mm ²)	0.75
Connectable conductor cross section - Max (mm ²)	1.5

LIFETIME DATA

Lifespan L70 B50	30000
------------------	-------

PHYSICAL DATA

Housing colour	White
IP rating	IP65/20
IK rating	IK03
Diffuser finish	Opal
Diffuser material	PMMA Acrylic
Nominal Product Diameter (mm)	87
Weight (kg)	0.094

PACKAGING

Single packaging type	Carton
Product EAN number	5410288052823
Packaging single width (cm)	7.5
Packaging single depth (cm)	9.0
DUN14 (inner)	25410288052827
Units per inner package	6
Packaging inner length / height (cm)	28.7
Packaging inner width (cm)	9.0
Packaging inner depth (cm)	19.3
DUN14 (outer)	15410288052820
Packaging outer length / height (cm)	38.1

SAFETY DATA

Optimal operating condition (°C)	-10-40
Special purpose lamp	No
Dry applications use only	No
Suitable for household illumination	No