



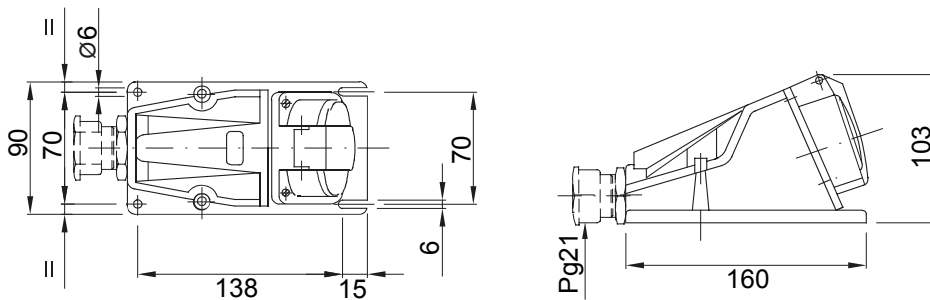
A range of trailing and fixed plugs and socket-outlets for industrial use, complying with the dimensional and performance standards unified at International level (IEC 60309) and assimilated by the European Standards (EN 60309) and Italian Standards (CEI 23-12). Socket-outlets and plugs with a rated current of 63 and 125A are equipped with an extra pilot contact (CP) for creating an electric interlock. The range is completed with 90° fixed plugs and 10° and 90° fixed socket-outlets. Sleeves and pins are obtained from solid brass bar, type Pt. CuZn40Pb2 (Cu 58%, Zn 40%, Pb 2%); anti-loosening terminals with unlosable screws, and built-in cable clamp with anti-abrasion cable gland

| | | | |
|----------------------------|---|--------------------------|--|
| Kleur | Blauw | Nominale stroom (A) | 16 |
| IP waarde | IP44 | Aant. polen | 3P+N+E |
| Mechanische weerstand | IK08 | Referentie h | 9 |
| Nominale spanning | 200 - 250 V | Type | 90° haakse wandcontactdoos voor opbouwmontage |
| Frequentie | 50/60 Hz | Klem aandraaicapaciteit | Flexibele kabels van 1-2,5 mm ² - starre kabels van 1,5-4 mm ² |
| Bedrijfstemperatuur | -25 +55 °C | Soort bedrading | Met schroeven |
| Electrocod | 2210 | Gloeidraadtest | 850 °C (actieve onderdelen) - 650 °C (passieve onderdelen) |
| Totaal aantal activiteiten | > 5000 | Toegestane overbelasting | 22 A |
| Breekcapaciteit bij 1,1 Un | 20 A | Isolatieweerstand | > 10 MΩ |
| Thermdruk met kogel | 125 °C (actieve onderdelen) - 80 °C (passieve onderdelen) | | |

BEHAVIOUR WITH CHEMICAL AND ATMOSPHERIC AGENTS

| Saline solution | Acids | | Bases | | Solvents | | | | Mineral oil | UV rays |
|-----------------|---------------|--------------------|--------------------|-----------|-----------|-----------|-----------|------------|-------------|-----------|
| | Concentrated | Diluted | Concentrated | Diluted | Hexane | Benzol | Acetone | Alcohol | | |
| Resistant | Not resistant | Limited resistance | Limited resistance | Resistant | Resistant | Resistant | Resistant | Resistente | Resistant | Resistant |

DIMENSIONAL



TECHNICAL SYMBOLOGY

IP

IP44

IK

IK08



-25 +55 °C



Met schroeven

GWT

850 °C (actieve onderdelen) - 650 °C (passieve onderdelen)



125 °C (actieve onderdelen) - 80 °C (passieve onderdelen)

STANDARDS/APPROVALS



GEWISS S.p.A. Via Domenico Bosatelli 1
24069 Cenate Sotto - Bergamo - Italy
tel. +39 035 94 61 11 fax +39 035 94 69 09

www.gewiss.com
sat@gewiss.com
Last update 10/03/2026

Data, measures, designs and pictures are shown only as informative purposes, and could be changed without previous notice