

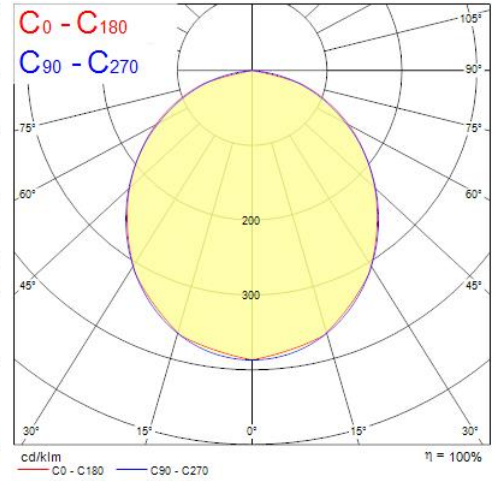
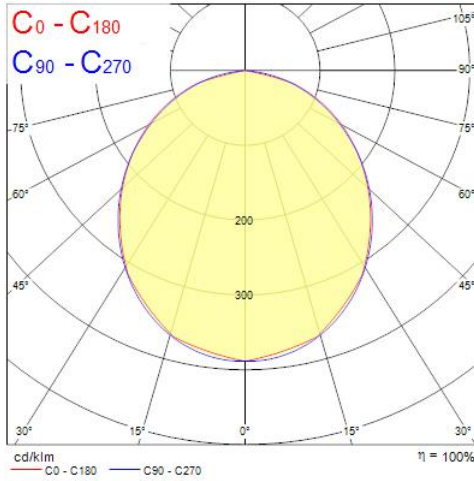
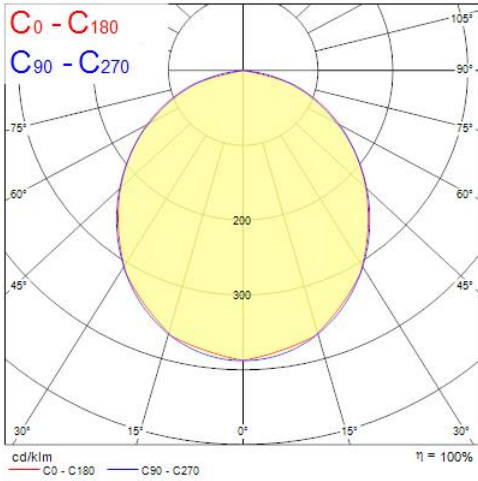
Features

- Integrated LED recessed spotlight, RAL9016 colour, 630lm, 7.0W, phase dimmable, 2700K/3000K/4000K, 110° degree beam angle, ABS plastic white body, low profile 47mm recessed depth, IP65 from the front, IK03, loop-in/loop-out terminals for fast wiring, 87mm bezel diameter, 68-74mm cutout, clear lens. Can be covered with insulation. Fixture can be covered with insulation. Additional silver bezel included in the packaging.

Product Overview

Product name	SYLSPOT LV 630LM 3-CCT DIM IP65 WHT
Technology	LED
Cap/Base	N/A
Housing	ABS Plastic
Mount	Ceiling recessed mounting
Fixture luminous flux (lm)	630
Luminaire efficacy (lm/W)	90
Colour temperature (K)	4000
Light colour	Cool White
CRI (Ra)	80
Colour Variation Initial (SDCM)	6
Photobiological Risk Group	RG0
Total power consumption (W)	7
Electrical protection	Class II
Control gear type	LED driver constant current
Housing colour	White
IP rating	IP65/20
IK rating	IK03
Product EAN number	5410288052571
Warranty	3 years

Photometry



Distance [m]	Cone diameter [m]	E(0°)	E(C90)	E(C0)	Illuminance [lx]
0.5	1.29	1055	52.3°	121	
1.0	2.59	264	52.3°	30	
1.5	3.88	117	52.3°	13	
2.0	5.18	66	52.3°	8	
2.5	6.47	42	52.3°	5	
3.0	7.76	29	52.3°	3	

Distance [m] Cone diameter [m] Illuminance [lx]
 C0 - C180 (Half beam angle: 104.6°)

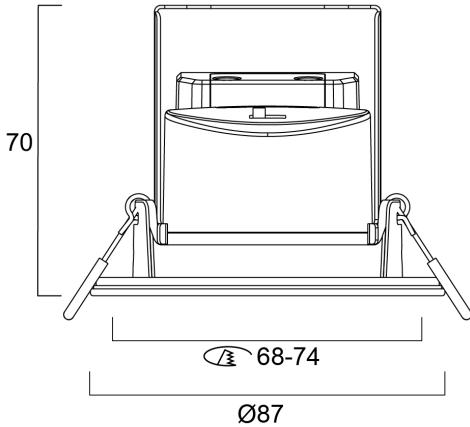
Distance [m]	Cone diameter [m]	E(0°)	E(C90)	E(C0)	Illuminance [lx]
0.5	1.29	908	52.3°	104	
1.0	2.59	227	52.3°	26	
1.5	3.88	101	52.3°	12	
2.0	5.18	57	52.3°	7	
2.5	6.47	36	52.3°	4	
3.0	7.76	25	52.3°	3	

Distance [m] Cone diameter [m] Illuminance [lx]
 C0 - C180 (Half beam angle: 104.4°)
 C90 - C270 (Half beam angle: 104.6°)

Distance [m]	Cone diameter [m]	E(0°)	E(C90)	E(C0)	Illuminance [lx]
0.5	1.29	1084	52.3°	123	
1.0	2.59	266	52.3°	31	
1.5	3.88	118	52.3°	14	
2.0	5.18	67	52.3°	8	
2.5	6.47	43	52.3°	5	
3.0	7.76	30	52.3°	3	

Distance [m] Cone diameter [m] Illuminance [lx]
 C0 - C180 (Half beam angle: 104.4°)
 C90 - C270 (Half beam angle: 104.6°)

Technical drawings



Data table

GENERAL DATA

Product name	SYLSPOT LV 630LM 3-CCT DIM IP65 WHT
Technology	LED
Cap/Base	N/A
Housing	ABS Plastic
Mount	Ceiling recessed mounting
Operating temperature range (°C)	-10°C...+40°C
Performance ambient temperature Tq (°C)	25
Warranty	3 years

OPTICAL DATA

Fixture luminous flux (lm)	630
Luminaire efficacy (lm/W)	90
Colour temperature (K)	4000
Light colour	Cool White
CRI (Ra)	80

SYLSPOT LV 630LM 3-CCT DIM IP65 WHT 0005257

Colour Variation Initial (SDCM)	6
Photobiological Risk Group	RG0

ELECTRICAL DATA

Total power consumption (W)	7
Primary Supply/Product voltage - min (V)	220
Lamp power factor	0.85
Electrical protection	Class II
Control gear required	No
Control gear type	LED driver constant current
Drive current - Range (mA)	30mA / 300mA
Inrush Current (A)	4
Inrush Duration (μ s)	40
Glow Wire Test ($^{\circ}$ C)	650
Energy Efficiency Class (A->G) of contained light source	D
Nominal Frequency (Hz)	50/60Hz
Max. products per 10A C Breaker	103
Connectable conductor cross section - Min (mm ²)	0.75
Connectable conductor cross section - Max (mm ²)	1.5

LIFETIME DATA

Lifespan L70 B50	86000
Lifespan L80 B50	52000
Lifespan L90 B50	23000

PHYSICAL DATA

Housing colour	White
IP rating	IP65/20
IK rating	IK03
Diffuser finish	Transparent
Diffuser material	PC Polycarbonate

SYLSPOT LV 630LM 3-CCT DIM IP65 WHT 0005257

Nominal Product Diameter (mm)	87
Weight (kg)	0.18

PACKAGING

Single packaging type	Carton
Product EAN number	5410288052571
Packaging single width (cm)	8.0
Packaging single depth (cm)	14.4
DUN14 (inner)	25410288052575
Units per inner package	4
Packaging inner length / height (cm)	33.9
Packaging inner width (cm)	15.5
Packaging inner depth (cm)	14.0
DUN14 (outer)	15410288052578
Packaging outer length / height (cm)	34.5

SAFETY DATA

Optimal operating condition (°C)	-10-40
Special purpose lamp	No
Dry applications use only	No
Suitable for household illumination	No