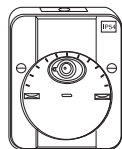


ARGUS light-sensitive switches with/without switching delay

Operating instructions



MTN544819, MTN544894, MTN544829

For your safety



DANGER

Risk of fatal injury from electrical current.

All work carried out on the unit may only be performed by skilled electricians. Observe the regulations valid in the country of use.

Light-sensitive switch introduction

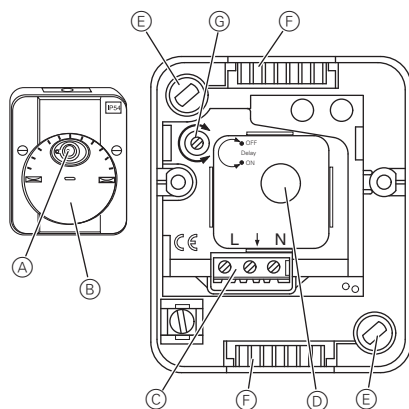
The ARGUS light-sensitive switch with or without switching delay can be connected to:

- ohmic loads (incandescent lamps, 230 V halogen lamps)
- inductive loads (NV halogen lamps with wound transformer)
- capacitive loads (electronic transformer)

As soon as the external brightness fails to reach a value which you set (twilight threshold), the light-sensitive switch will switch on the connected load. When the external brightness increases again and exceeds the twilight threshold, the load is switched off again.

The light-sensitive switches MTN544894 and MTN544819 also have a switching delay function which means that the load is only switched if the twilight threshold is exceeded or not reached for a longer period of time. The light-sensitive switch therefore only reacts at dusk or dawn and not e.g. during the day due to temporary cloud cover or at night due to the light cast from a headlamp.

Connections, displays and operating elements



- (A) Opening for light sensor
- (B) Setting disk for twilight threshold
- (C) Connecting terminals
- (D) Light sensor
- (E) Openings for fixing
- (F) Lead-in guides for connecting cable
- (G) Switching delay On/Off (only MTN544894, MTN544819)

Selecting the installation site

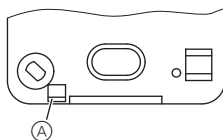
- If possible, install the device on the north- or east-facing wall of the building.
- If possible, install the device under roof overhangs or similar covering.
- If possible, the connection cable should be inserted into the device from below. If the connecting cable enters into the device from above, particularly good insulation must be ensured.
- Install the load to be switched (lighting) in such a way that the light from it does not fall on the light sensor. Otherwise, the sensor will not be able to calculate the ambient brightness correctly (optical feedback).

Light-sensitive switch installation

- Open the housing by unscrewing the two screws at the front. Pull out the light-sensitive switch.

The condensation water opening on the underside of the housing must be opened. Exception: If operated in rooms subject to a large amount of dust, it must remain closed.

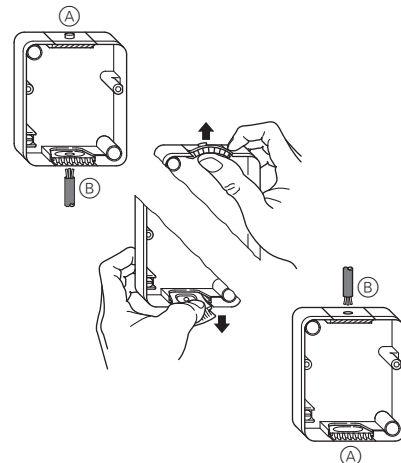
- Push open the condensation water opening (A) (view from rear) from the inside to the outside and break out the wall.



- Fasten the housing to the wall through the openings using suitable fixing material (e.g. dowels and screws). The "TOP" marking should be at the top.

If you want to lead the cable into the housing from below rather than above:

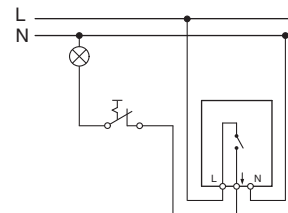
- Swap over the lead-in guides (A)/(B).



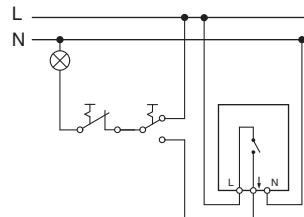
- i** When switching inductive loads such as transformers, relays, contactors or fluorescent lamps, spikes occur which could lead to the load being switched on again ("maintained light effect"). Switch a capacitor parallel to the inductive load in order to reduce these spikes.

- Wiring the light-sensitive switch for the desired application:

- Light-sensitive switch with On/Off switch (optional)



- Light-sensitive switch with On/Off switch (optional) and two-way switch for toggling between manual and automatic operation.



- Insert the light-sensitive switch into the housing and screw the housing together.

Setting light-sensitive switch

Turning the switching delay on

- Turn the adjuster **completely** to the position "ON" (as far as possible to the left).

Turning the switching delay off

- Turn the adjuster **completely** to the position "OFF" (as far as possible to the right).

Setting the twilight threshold

- Slowly turn the setting disk at dawn or dusk, thus closing the opening of the light sensor, until the load switches on or off.

Technical data

Nominal voltage:	AC 230 V, 50 Hz
Max. switching current:	10 A, AC 230 V, $\cos\phi = 0.6$
Nominal power	
Incandescent lamps:	AC 230 V, max. 2300 W
Halogen lamps:	AC 230 V, max. 2000 W
Capacitive load:	max 140 μF
Connecting terminals:	for 2.5 mm ² rigid conductors
External diameter of a cable:	max. 14 mm
Adjustment range/switch threshold:	3 -2000 Lux, adjustable
Relay:	μ contact
Switching delay (MTN544894, MTN544819):	Switching on: approx. 40 s Switching off: approx. 100 s
Type of protection:	IP 54
Dimensions:	approx. 97x80x47 mm (HxWxD)

Schneider Electric Industries SAS

If you have technical questions, please contact the Customer Care Center in your country.

www.schneider-electric.com

This product must be installed, connected and used in compliance with prevailing standards and/or installation regulations. As standards, specifications and designs develop from time to time, always ask for confirmation of the information given in this publication.