

Extension for 32 buttons to a door loudspeaker

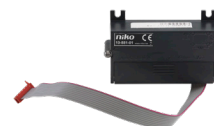
10-881-01

4 year warranty

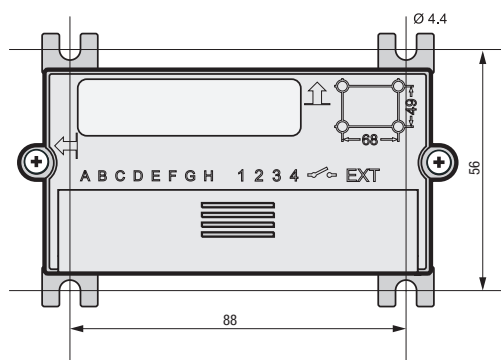
The extension module on the door loudspeaker allows you to add up to 32 buttons to your call tablet. The module is simply connected to the flush-mounting loudspeaker, type 10-880-01, via a connection cable. You can add a maximum of 5 extension modules to a door loudspeaker.

Technical data

Add-on module for door loudspeaker of max. 32 bell push-buttons/dwelling units – door loudspeaker is provided with terminals for connection of 32 potential-free bell push-buttons - connection of max. 6 * (max. 208 housing units): can be integrated behind front panel caps provided by the architect : to each bell push button provided by the architect, 2 internal units can be assigned : several internal units can be assigned via the service set : confirmation tone when bell push button is pressed : the bell push button provided by the architect can also be used to switch the light : interchangeable memory for exchanging data between similar external units : 3-wire technique : input current: $I(a) = 1.0\text{mA}$ when off : allowed ambient temperature: -20 to 50°C - dimensions: H 80 x W 104 x D 35mm



Dimensions



Wiring diagram

