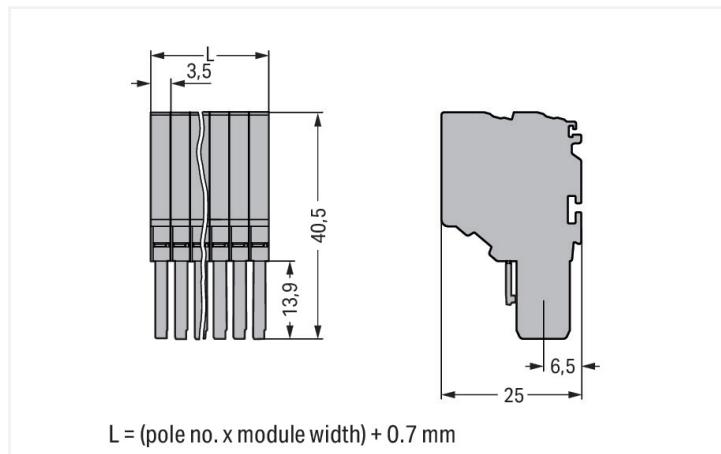
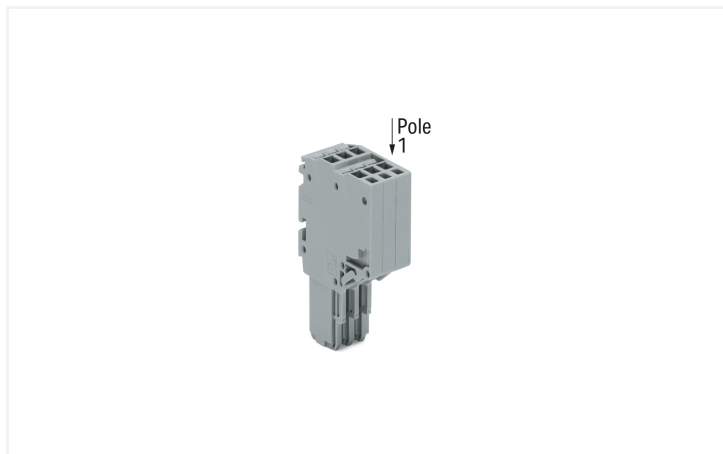


## Data Sheet | Item Number: 2020-211

2-conductor female connector; Push-in CAGE CLAMP®; 1.5 mm²; Pin spacing 3.5 mm; 11-pole; 1,50 mm²; gray

<https://www.wago.com/2020-211>



Color: ■ gray

Similar to illustration

Dimensions in mm

Female connector, 2020 Series, gray

Enjoy error-free electrical installations with this female connector (item number 2020-211). Ensure that the strip lengths are between 9 and 11 mm when connecting conductors to this female connector. Pluggable rail-mount terminal blocks are hugely popular in switchgear and control systems, for example, in railroad technology. They combine the best of rail-mount terminal blocks and connectors to create the perfect solution. Variable wiring systems make pre-assembly easy, which leads to considerable time and cost savings in production, installation, operation, and maintenance. Featuring conductor terminals along with Push-in CAGE CLAMP®, this product outperforms the competition. Our Push-in CAGE CLAMP® is a universal, maintenance-free connection solution for all conductor types, offering a key advantage: It allows direct insertion of both solid and fine-stranded conductors with ferrules without needing tools. No preparation is required; for example, crimping the conductor's ferrule is not necessary. Dimensions: (39.2 x 40.5 x 25) mm (width x height x depth). Depending on the type of conductor, this female connector is ideal for conductor cross sections ranging from 0.14 mm² to 1.5 mm².

This female connector/socket is operated with an operating tool.

### Notes

Safety Information

According to EN 61984, pluggable connectors without current interrupting capacity must not be mated or unmated when live or under load.

Safety information 2

Notice: An appropriate end plate must be applied to the carrier terminal blocks after each female plug.

### Electrical data

| Ratings per                     | IEC/EN 61984 |     |    |
|---------------------------------|--------------|-----|----|
| Oversoltage category            | III          | III | II |
| Pollution degree                | 3            | 2   | 2  |
| Nominal voltage                 | 500 V        | -   | -  |
| Rated impulse withstand voltage | 6 kV         | -   | -  |
| Rated current                   | 13.5 A       | -   | -  |

| Approvals per | UL 1059 |       |       |
|---------------|---------|-------|-------|
| Use group     | B       | C     | D     |
| Rated voltage | 300 V   | 300 V | 300 V |
| Rated current | 15 A    | 15 A  | 15 A  |

| Approvals per | CSA 22.2 No 158 |       |       |
|---------------|-----------------|-------|-------|
| Use group     | B               | C     | D     |
| Rated voltage | 300 V           | 300 V | 300 V |
| Rated current | 10 A            | 10 A  | 10 A  |

| General information |                    |
|---------------------|--------------------|
| Wiring direction    | Front-entry wiring |

## Connection Data

|                            |    |
|----------------------------|----|
| Clamping units             | 22 |
| Total number of potentials | 11 |

| Connection 1   |   |
|--|---|
| Connection technology                                      | Push-in CAGE CLAMP®   |
| Actuation type   | Operating tool  |
| Connectable conductor materials                            | Copper  |
| Nominal cross-section                                      | 1 mm <sup>2</sup>   |
| Solid conductor  | 0.14 ... 1.5 mm <sup>2</sup> / 24 ... 16 AWG  |
| Solid conductor; push-in termination                       | 0.5 ... 1.5 mm <sup>2</sup> / 20 ... 16 AWG   |
| Fine-stranded conductor                                    | 0.14 ... 1.5 mm <sup>2</sup> / 24 ... 16 AWG  |
| Fine-stranded conductor; with insulated ferrule            | 0.14 ... 0.75 mm <sup>2</sup> / 24 ... 18 AWG   |
| Fine-stranded conductor; with ferrule; push-in termination | 0.5 ... 0.75 mm <sup>2</sup> / 20 ... 18 AWG  |
| Note (conductor cross-section)                             | Depending on the conductor characteristic, a conductor with a smaller cross-section can also be inserted via push-in termination. |
| Strip length   | 9 ... 11 mm / 0.35 ... 0.43 inches  |
| Pole number  | 11  |
| Wiring direction   | Front-entry wiring  |

## Physical data

|              |                        |
|--------------|------------------------|
| Width        | 39.2 mm / 1.543 inches |
| Height       | 40.5 mm / 1.594 inches |
| Depth        | 25 mm / 0.984 inches   |
| Module width | 3.5 mm / 0.138 inches  |

## Mechanical data

|                          |              |
|--------------------------|--------------|
| Variable coding          | Yes          |
| Marking level            | Side marking |
| Anti-rotation protection | Yes          |

## Plug-in connection

|                                    |                         |
|------------------------------------|-------------------------|
| Contact type (pluggable connector) | Female connector/socket |
| Connector (connection type)        | for conductor           |
| Mismating protection               | No                      |

## Material data

|                                    |  |
|------------------------------------|--|
| Note (material data)               | <a href="#">Information on material specifications can be found here</a> |
| Color                              | gray   |
| Material group                     | I  |
| Insulation material (main housing) | Polyamide (PA66)   |
| Flammability class per UL94        | V0   |
| Fire load                          | 0.5 MJ   |
| Weight                             | 30.4 g   |

### Environmental requirements

|                                  |                 |
|----------------------------------|-----------------|
| Processing temperature           | -35 ... +85 °C  |
| Continuous operating temperature | -60 ... +105 °C |

### Commercial data

|                       |                   |
|-----------------------|-------------------|
| Product Group         | 18 (X-COM-System) |
| PU (SPU)              | 20 pcs            |
| Packaging type        | Box               |
| Country of origin     | DE                |
| GTIN                  | 4045454855338     |
| Customs tariff number | 85366990990       |

### Product Classification

|             |                      |
|-------------|----------------------|
| UNSPSC      | 39121409             |
| eCl@ss 10.0 | 27-14-11-06          |
| eCl@ss 9.0  | 27-14-11-06          |
| ETIM 9.0    | EC001284             |
| ETIM 10.0   | EC001284             |
| ECCN        | NO US CLASSIFICATION |

### Environmental Product Compliance

|                        |                         |
|------------------------|-------------------------|
| RoHS Compliance Status | Compliant, No Exemption |
|------------------------|-------------------------|

### Approvals / Certificates

#### General approvals



| Approval                               | Standard | Certificate Name |
|--|----------|------------------|
| CCA<br>DEKRA Certification B.V.        | EN 60947 | NTR NL 7617      |
| CSA<br>DEKRA Certification B.V.        | C22.2    | 2516073          |
| UL<br>UL International Germany<br>GmbH | UL 1059  | E 45172          |

#### Declarations of conformity and manufacturer's declarations

| Approval  | Standard | Certificate Name |
|---|----------|------------------|
| EU-Declaration of Confor-<br>mity<br>WAGO GmbH & Co. KG | -        | -                |
| UK-Declaration of Confor-<br>mity<br>WAGO GmbH & Co. KG | -        | -                |

### Approvals for marine applications



| Approval  | Standard | Certificate Name  |
|---|----------|-------------------|
| ABS<br>American Bureau of Ship-<br>ping               | EN 60947 | 24-0152298-PDA    |
| DNV GL<br>Det Norske Veritas, Ger-<br>manischer Lloyd | -        | TAE00001V2        |
| PRS<br>Polski Rejestr Statków                         | -        | TE/1094/880590/23 |

## Downloads

### Environmental Product Compliance

#### Compliance Search

Environmental Product Compliance 2020-211



## Documentation

### Bid Text

|          |            |                  |  |
|----------|------------|------------------|--|
| 2020-211 | 19.02.2019 | xml<br>3.90 KB   |  |
| 2020-211 | 07.08.2018 | docx<br>15.25 KB |  |

## CAD/CAE-Data

### CAD data

2D/3D Models  
2020-211



### CAE data

EPLAN Data Portal  
2020-211



WSCAD Universe  
2020-211



ZUKEN Portal  
2020-211



## 1 Compatible Products

### 1.1 Optional Accessories

#### 1.1.1 Ferrule

##### 1.1.1.1 Ferrule



#### [Item No.: 216-241](#)

Ferrule; Sleeve for 0.5 mm<sup>2</sup> / 20 AWG; insulated; electro-tin plated; electrolytic copper; gastight crimped; acc. to DIN 46228, Part 4/09.90; white

#### [Item No.: 216-242](#)

Ferrule; Sleeve for 0.75 mm<sup>2</sup> / 18 AWG; insulated; electro-tin plated; electrolytic copper; gastight crimped; acc. to DIN 46228, Part 4/09.90; gray

#### [Item No.: 216-243](#)

Ferrule; Sleeve for 1 mm<sup>2</sup> / AWG 18; insulated; electro-tin plated; electrolytic copper; gastight crimped; acc. to DIN 46228, Part 4/09.90; red

### 1.1.2 Locking system

#### 1.1.2.1 Locking system



#### [Item No.: 2022-151](#)

Locking lever; gray

#### [Item No.: 2022-152](#)

Locking lever; orange

### 1.1.3 Marking

#### 1.1.3.1 Marker



**Item No.: 793-3501**

WMB marking card; as card; plain; snap-on type; white



**Item No.: 2009-113**

WMB-Inline; for Smart Printer; 2300 pieces on roll; plain; snap-on type; white

### 1.1.4 Protective warning marker

#### 1.1.4.1 Cover



**Item No.: 2000-115**

Protective warning marker; for 5 terminal blocks; with high-voltage symbol, black; yellow

### 1.1.5 Screwless end stop

#### 1.1.5.1 Mounting accessories



**Item No.: 249-117**

Screwless end stop; 10 mm wide; for DIN-rail 35 x 15 and 35 x 7.5; gray



**Item No.: 249-116**

Screwless end stop; 6 mm wide; for DIN-rail 35 x 15 and 35 x 7.5; gray

### 1.1.6 Strain relief

#### 1.1.6.1 Strain relief plate



**Item No.: 734-326**

Strain relief plate; for female and male connectors; 35 mm wide; 1 part; gray

### 1.1.7 Tool

#### 1.1.7.1 Operating tool



**Item No.: 210-719**

Operating tool; Blade: 2.5 x 0.4 mm; with a partially insulated shaft



**Item No.: 210-648**

Operating tool; Blade: 2.5 x 0.4 mm; with a partially insulated shaft; angled; short

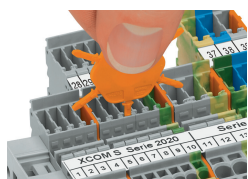


**Item No.: 210-647**

Operating tool; Blade: 2.5 x 0.4 mm; with a partially insulated shaft; multicoloured

## Installation Notes

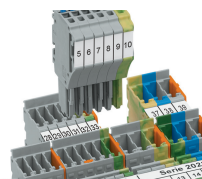
### Coding



Insert coding pin into the corresponding slot and twist it off.

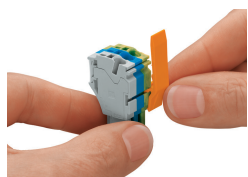


Coding a female plug: remove coding finger using a suitable tool.

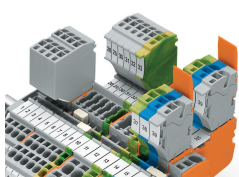


Insert coded female plug into X-COM®S-SYSTEM terminal block assembly.

### Locking system



Slide the locking lever into position.



Female plugs can be individually locked.