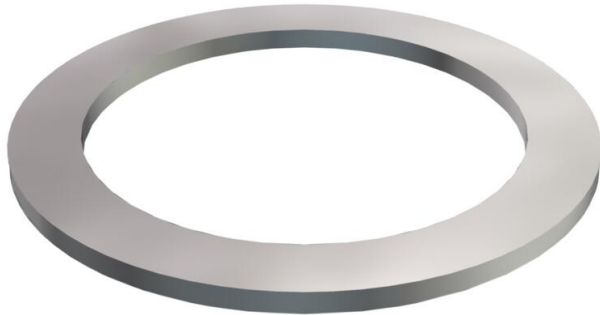


Technical data sheet

Pressure ring, PG thread

Item number: 2027151



Pressure ring, Part 7, to DIN 46320, suitable for plastic and brass glands to DIN 46320.

Pg

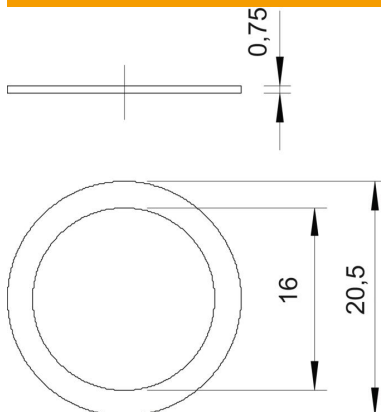
St Steel

GTP Electrogalvanized, transparently passivated

Master data

Item number	2027151
Type	107 D PG16 GTP
Description 1	Pressure ring
Manufacturer	OBO
Dimension	PG16
Material	Steel
Surface	Electrogalvanised, transparently passivated
Surface standard	
Smallest sales unit	100
Unit of quantity	Units
Weight	0,076 kg
Weight unit	kg/100 pairs
CO2 Footprint (GWP) Cradle-to-Gate	0,0051 kg CO2e / 1 Piece

Dimensions



Dimension D1	20,5 mm
Dimension D2	16 mm

Technical data sheet

Pressure ring, PG thread

Item number: 2027151



Technical specifications

Version for	Miscellaneous
Screw for PG thread dimension	16
Inner diameter	16 mm