



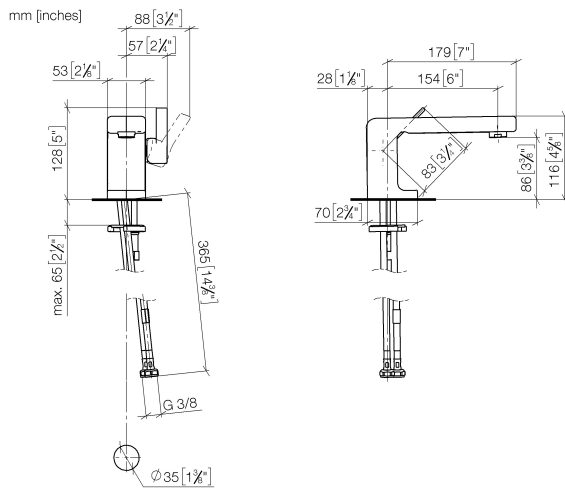
33 521 710 Product version from 3/31/2009 to 5/15/2020



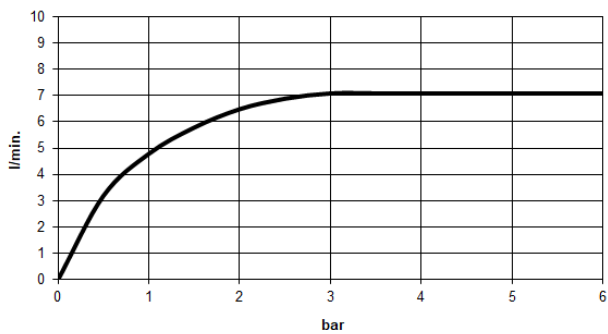
- 155mm projection
- fixed spout
- circular, air-enriched flow
- height of mixer 113 mm
- height up to aerator 90 mm
- hole diameter 35 mm
- 2x screw-in M 8 x 1 pressure hose, leak-tested
- max. flow 7 l/min
- lead-free
- WRAS
- This product can help a building meet the requirements of Green Building Rating Systems, e.g. LEED®, BREEAM®, DGNB

	Brushed Platinum	33 521 710-06
	Chrome	33 521 710-00

33 521 710 Product version from 3/31/2009 to 5/15/2020



Flow rate chart



Codes & Standards

DIN 4109

EN 817

Executive Order  
no. 1007

ISO 3822

Scottish Water  
Byelaws

UK Water Supply  
Regulations

Ü-Zeichen

VA-Zeichen



## LULU Single-lever basin mixer without pop-up waste - Brushed Platinum

LULU

33 521 710 Product version from 3/31/2009 to 5/15/2020

### Certificates and sustainability

LGA\_9

GDV\_0400

ETA\_18

EPD-DOR-20230287 WRAS\_251102  
-IBA1-EN  
Environmental.prod  
uct-declarat

33 521 710 Product version from 3/31/2009 to 5/15/2020

Parts for other  
finishes can be found  
here: [Chrome](#)

