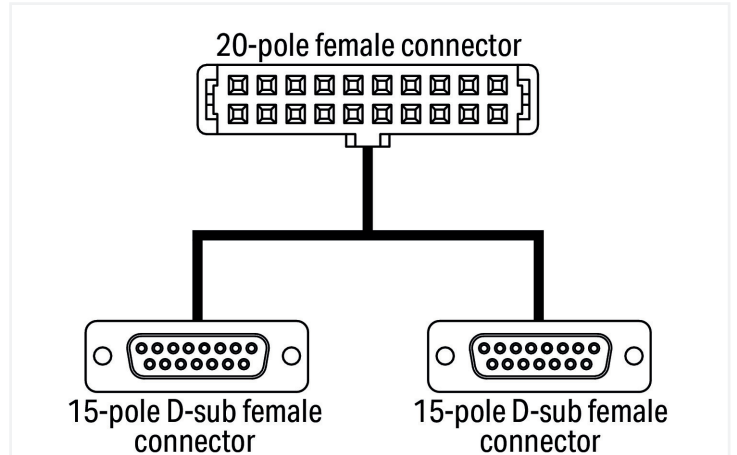


**Data Sheet | Item Number: 706-7753/306-300**

System cable; for WAGO-I/O-SYSTEM, 750 Series; 2x 8 digital inputs or outputs;  
Length: 3 m; Conductor cross-section: 0.14 mm<sup>2</sup>

<https://www.wago.com/706-7753/306-300>



Similar to illustration

Color coding acc. to DIN VDE 47100 Cable 1: Channel 1-8		15 poles female Sub-D connector		20 poles flat connector	
	Pin number	Wiring	Pin number	Signal	
White	1	CH1	1	CH1	
Brown	2	CH2	2	CH2	
Green	3	CH3	3	CH3	
Yellow	4	CH4	4	CH4	
Grey	5	CH5	5	CH5	
Pink	6	CH6	6	CH6	
Blue	7	CH7	7	CH7	
Red	8	CH8	8	CH8	
Black	9	+24V	17	+24V	
Violet	10	0V	18	0V	

Color coding acc. to DIN VDE 47100 Cable 2: Channel 9-16		15 poles female Sub-D connector		20 poles flat connector	
	Pin number	Wiring	Pin number	Signal	
White	1	CH1	9	CH9	
Brown	2	CH2	10	CH10	
Green	3	CH3	11	CH11	
Yellow	4	CH4	12	CH12	
Grey	5	CH5	13	CH13	
Pink	6	CH6	14	CH14	
Blue	7	CH7	15	CH15	
Red	8	CH8	16	CH16	
Black	9	+24V	19	+24V	
Violet	10	0V	20	0V	

**Short description:**

WAGO's Interface Cables provide fast and easy connection of WAGO I/O Modules equipped with a 20-pole pluggable connector. The following WAGO I/O Modules and Interface Adapters are compatible:

- 750-1500 (16 DO) --> 857-986 (DO)
- The cables are available in 1-, 2- and 3-meter lengths; each has one 20-pole or two 15-pole pluggable connectors at both ends.
- They are suitable for system wiring when paired with the 857-986 Interface Adapter.

Notes	
Note	When using more than 10 wires, the maximum current per wire must be reduced to 0.7 A.

### Electrical data

Inputs/outputs	2 x 8 digital inputs or outputs
Operating voltage	≤ 35 VAC/VDC
Current per wire (max.)	1 A

### Connection data

Cable type	LiYY	<b>Connection 1</b>	
Color code	per DIN VDE 47100	Pluggable connector	Pluggable connector per DIN 41651; female connector
		Pole number 1	20
		Connection type	System
		Wire cross-section	0.14 mm <sup>2</sup>

### Connection 2

Connector	D-sub female connector
Pole number	15
Connection type	System
Wire cross-section	0.14 mm <sup>2</sup>

### Connection 3

Connector	D-sub female connector
Pole number	15
Connection type	System

### Physical data

Cable length	3 m
--------------	-----

### Material data

Fire load	0 MJ
Weight	10 g

### Environmental requirements

Ambient temperature (operation)	-20 ... +50 °C
---------------------------------	----------------

### Commercial data

Product Group	30 (WAGO France)
PU (SPU)	1 pcs
Packaging type	unpacked
Country of origin	FR
GTIN	4050821081623
Customs tariff number	85444290900

### Product Classification

UNSPSC	26121604
eCl@ss 10.0	27-06-03-11
eCl@ss 9.0	27-06-03-11
ETIM 9.0	EC000237
ETIM 10.0	EC000237
ECCN	NO US CLASSIFICATION

**Environmental Product Compliance**

RoHS Compliance Status	Compliant, No Exemption
------------------------	-------------------------

**Downloads**

**Environmental Product Compliance**

<b>Compliance Search</b>			
Environmental Product Compliance			↓
706-7753/306-300			

**Documentation**

<b>Bid Text</b>			
706-7753/306-300	19.02.2019	xml 3.64 KB	↓
706-7753/306-300	26.11.2018	docx 15.28 KB	↓

**CAD/CAE-Data**

<b>CAE data</b>			
WSCAD Universe			↓
706-7753/306-300			

**1 Compatible Products**

**1.1 Optional Accessories**

**1.1.1 Interface module**

**1.1.1.1 Interface adapters**



**Item No.: 857-986**  
 Interface adapter; 15-pole; High-side switching input