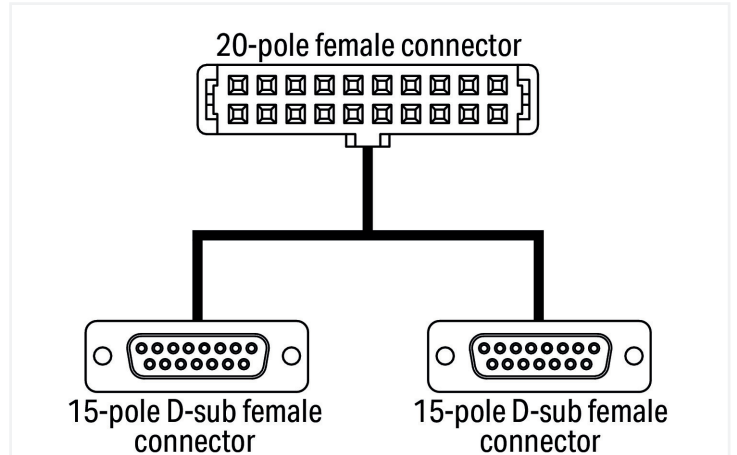


Data Sheet | Item Number: 706-7753/306-100

System cable; for WAGO-I/O-SYSTEM, 750 Series; 2x 8 digital inputs or outputs;

Length: 1 m; Conductor cross-section: 0.14 mm²

<https://www.wago.com/706-7753/306-100>



Similar to illustration

Color coding acc. to DIN VDE 47100 Cable 1: Channel 1-8		15 poles female Sub-D connector		20 poles flat connector	
	Pin number	Wiring	Pin number	Signal	
White	1	CH1	1	CH1	
Brown	2	CH2	2	CH2	
Green	3	CH3	3	CH3	
Yellow	4	CH4	4	CH4	
Grey	5	CH5	5	CH5	
Pink	6	CH6	6	CH6	
Blue	7	CH7	7	CH7	
Red	8	CH8	8	CH8	
Black	9	+24V	17	+24V	
Violet	10	0V	18	0V	

Color coding acc. to DIN VDE 47100 Cable 2: Channel 9-16		15 poles female Sub-D connector		20 poles flat connector	
	Pin number	Wiring	Pin number	Signal	
White	1	CH1	9	CH9	
Brown	2	CH2	10	CH10	
Green	3	CH3	11	CH11	
Yellow	4	CH4	12	CH12	
Grey	5	CH5	13	CH13	
Pink	6	CH6	14	CH14	
Blue	7	CH7	15	CH15	
Red	8	CH8	16	CH16	
Black	9	+24V	19	+24V	
Violet	10	0V	20	0V	

Short description:

WAGO's Interface Cables provide fast and easy connection of WAGO I/O Modules equipped with a 20-pole pluggable connector. The following WAGO I/O Modules and Interface Adapters are compatible:

- 750-1500 (16 DO) --> 857-986 (DO)
- The cables are available in 1-, 2- and 3-meter lengths; each has one 20-pole or two 15-pole pluggable connectors at both ends.
- They are suitable for system wiring when paired with the 857-986 Interface Adapter.

Notes

Note When using more than 10 wires, the maximum current per wire must be reduced to 0.7 A.

Electrical data

Inputs/outputs	2 x 8 digital inputs or outputs
Operating voltage	≤ 35 VAC/VDC
Current per wire (max.)	1 A

Connection Data

Cable type	LiYY
Color code	per DIN VDE 47100

Connection 1

Pluggable connector	Pluggable connector per DIN 41651; female connector
Pole number 1	20
Connection type	System
Wire cross-section	0.14 mm ²

Connection 2

Connector	D-sub female connector
Pole number	15
Connection type	System
Wire cross-section	0.14 mm ²

Connection 3

Connector	D-sub female connector
Pole number	15
Connection type	System
Wire cross-section	0.14 mm ²

Physical data

Cable length	1 m
--------------	-----

Material data

Fire load	0 MJ
Weight	133 g

Environmental requirements

Ambient temperature (operation)	-20 ... +50 °C
---------------------------------	----------------

Commercial data

Product Group	30 (WAGO France)
PU (SPU)	1 pcs
Packaging type	Box
Country of origin	FR
GTIN	4050821052968
Customs tariff number	85444290900

Product Classification

UNSPSC	26121604
eCl@ss 10.0	27-06-03-11
eCl@ss 9.0	27-06-03-11
ETIM 9.0	EC000237
ETIM 10.0	EC000237
ECCN	NO US CLASSIFICATION

Environmental Product Compliance

RoHS Compliance Status	Compliant, No Exemption
------------------------	-------------------------

Downloads

Environmental Product Compliance

Compliance Search	
Environmental Product Compliance 706-7753/306-100	↓

Documentation

Bid Text			
706-7753/306-100	26.11.2018	docx 15.24 KB	↓
706-7753/306-100	19.02.2019	xml 3.64 KB	↓

CAD/CAE-Data

CAE data	
WSCAD Universe 706-7753/306-100	↓

1 Compatible Products

1.1 Optional Accessories

1.1.1 Interface module

1.1.1.1 Interface adapters



Item No.: 857-986
Interface adapter; 15-pole; High-side switching input