

Features

- The streamlined, durable, lightweight die-cast aluminium body makes Start Flood IP65 a perfect choice for building facades, car parks, garages and construction areas. The product includes 1 m pre-wired stripped cable and fitting bracket for quick and easy installation and the universal mounting bracket allows wall or surface mounting with the possibility of vertical tilting. Black (RAL9017) housing, white reflector, 5000 lm, 43 W, 116 lm/W, 3000K, non dimmable, CRI>80, IP65, IK06, Class I, lifespan L70:B50: 120000 hrs, 201 x 156 x 57 mm (L x W x H). Weight: 0.515 kg. IK05 rated PIR sensor included, which is tiltable for better adjustment of detection areas.

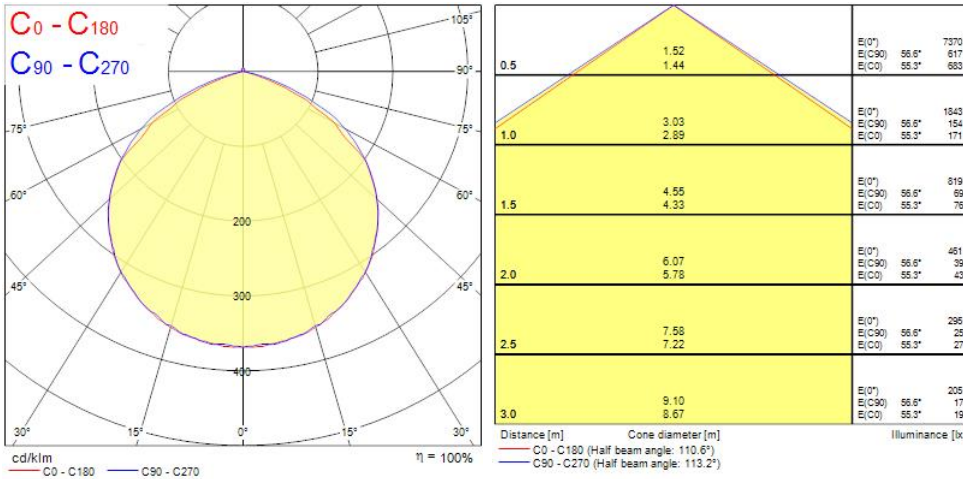
Product Overview

| | |
|-----------------------------------|--|
| Product name | Start Flood IP65 PIR 5000LM 830 Black |
| Technology | LED |
| Cap/Base | N/A |
| Housing | Aluminium |
| Mount | Ceiling surface mounting, Wall surface mounted |
| General application | Residential & Consumer |
| ETIM Class | EC001744 |
| Fixture luminous flux (lm) | 5000 |
| Luminaire efficacy (lm/W) | 116 |
| Correlated colour temperature (k) | 3000 |
| Light colour | Warm White |
| CRI (Ra) | 80 |
| Colour Variation Initial (SDCM) | 5 |
| Beam Angle (°) | 110 |
| Photobiological Risk Group | RG1 |
| Total power consumption (W) | 43 |

Start Flood IP65 PIR 5000LM 830 Black 0050177

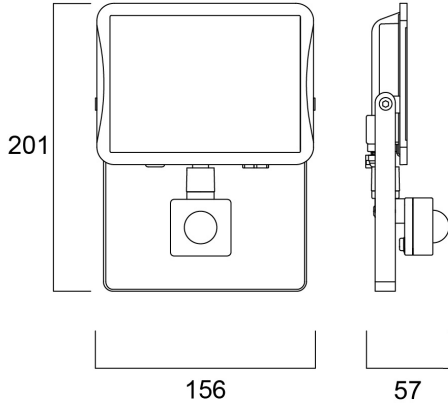
| | |
|-----------------------------|---------------|
| Electrical protection | Class I |
| Control gear type | Not required |
| Dimmable | No |
| Housing colour | Black |
| IP rating | IP65 |
| IK rating | IK05 |
| Product EAN number | 5410288501772 |
| Warranty | 3 years |
| Dimming method | N/A |
| Useful luminous flux (#use) | 5000 |

Photometry



Start Flood IP65 PIR 5000LM 830 Black 0050177

Technical drawings



Data table

GENERAL DATA

| | |
|----------------------------------|--|
| Product name | Start Flood IP65 PIR 5000LM 830 Black |
| Technology | LED |
| Cap/Base | N/A |
| Housing | Aluminium |
| Mount | Ceiling surface mounting, Wall surface mounted |
| General application | Residential & Consumer |
| Operating temperature range (°C) | -20°C...+40°C |
| ETIM Class | EC001744 |
| Warranty | 3 years |

OPTICAL DATA

| | |
|-----------------------------------|------------|
| Useful luminous flux (#use) | 5000 |
| Fixture luminous flux (lm) | 5000 |
| Luminaire efficacy (lm/W) | 116 |
| Correlated colour temperature (k) | 3000 |
| Light colour | Warm White |

Start Flood IP65 PIR 5000LM 830 Black 0050177

| | |
|---------------------------------|-----------|
| CRI (Ra) | 80 |
| Colour Variation Initial (SDCM) | 5 |
| Beam Angle (°) | 110 |
| Distribution type | Symmetric |
| Photobiological Risk Group | RG1 |

ELECTRICAL DATA

| | |
|--|--------------|
| Total power consumption (W) | 43 |
| Current (A) | 0.195 |
| Primary Supply/Product voltage - min (V) | 220.0 |
| Primary Supply/Product voltage - max (V) | 240.0 |
| Lamp power factor | 0.9 |
| THD (at 230 V, 50 Hz, full load, at 100% dimming level) ≤ xx.x % | 20 |
| Electrical protection | Class I |
| Control gear required | No |
| Control gear type | Not required |
| No. Of switching cycles before premature failures | >15000 |
| Dimmable | No |
| Dimming method | N/A |
| Drive current (mA) | 175 |
| Inrush Current (A) | 1 |
| Inrush Duration (µs) | 100 |
| Glow Wire Test (°C) | 650 |
| Energy Efficiency Class (A->G) of contained light source | E |
| Nominal Frequency (Hz) | 50/60Hz |
| Max. products per 10A C Breaker | 29 |
| Max. products per 13A C Breaker | 38 |
| Max. products per 16A C Breaker | 48 |
| Max. products per 20A C Breaker | 58 |
| Max. products per 10A B Breaker | 18 |
| Max. products per 13A B Breaker | 23 |
| Max. products per 16A B Breaker | 28 |

Start Flood IP65 PIR 5000LM 830 Black 0050177

| | |
|---|----|
| Max. products per 20A B Breaker | 35 |
| Connectable conductor cross section - Min (mm ²) | 1 |
| Connectable conductor cross section - Max (mm ²) | 1 |

LIFETIME DATA

| | |
|------------------|--------|
| Lifespan L70 B50 | 120000 |
| Lifespan L80 B50 | 99000 |
| Lifespan L80 B20 | 75000 |

PHYSICAL DATA

| | |
|-----------------------------|-------------|
| Housing colour | Black |
| IP rating | IP65 |
| IK rating | IK05 |
| Diffuser finish | Transparent |
| Diffuser material | Glass |
| Reflector finish | White |
| Nominal Product Length (mm) | 201 |
| Nominal Product Width (mm) | 156 |
| Nominal Product Height (mm) | 57 |
| Weight (kg) | 0.515 |

PACKAGING

| | |
|---------------------------------------|----------------|
| Product EAN number | 5410288501772 |
| Packaging single length / height (cm) | 16.1 |
| Packaging single width (cm) | 5.9 |
| Packaging single depth (cm) | 21.0 |
| DUN14 (outer) | 15410288501779 |
| Units per outer package | 6 |
| Packaging outer length / height (cm) | 38.2 |
| Packaging outer width (cm) | 17.4 |
| Packaging outer depth (cm) | 22.8 |

SAFETY DATA

| | |
|-------------------------------------|--------|
| Optimal operating condition (°C) | -20-40 |
| Special purpose lamp | No |
| Dry applications use only | No |
| Suitable for household illumination | No |