

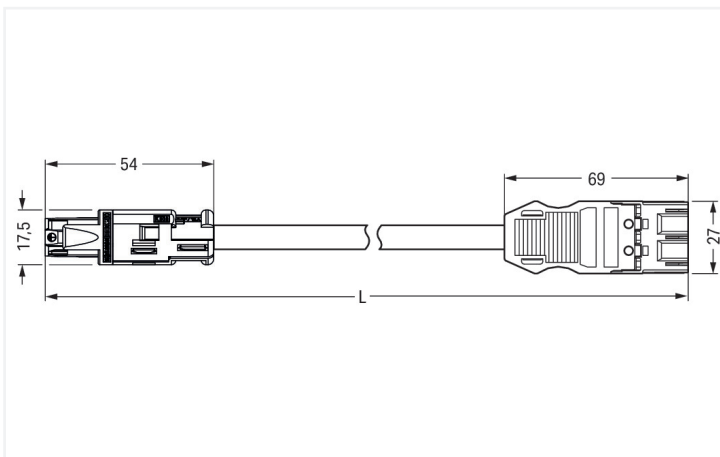
Data Sheet | Item Number: 774-9973/1516-205

pre-assembled adapter cable; Eca; Socket/plug MIDI; 3-pole; Cod. S; H05Z1Z1-F
3x1,5 mm²; 2 m; 1,50 mm²; brown

<https://www.wago.com/774-9973/1516-205>



Color: ■ brown



Dimensions in mm

Cable assembly *WINSTA*® RD with strain relief

Use effective pluggable connections instead of laborious screw connections: With the *WINSTA*® RD cable assembly S coding. On PCBs, in control cabinets or for connecting lights – pluggable installation connectors from WAGO allow you to establish connections according to many different requirements in seconds. The mechanical coding and color coding of the pluggable installation connector ensure error-free installation of the individual com-

ponents – including protection against mismatching. The pluggable installation connector is protected against ingress by solid objects in accordance with protection type IP20 (When mated: IP2xC (These compact connectors are not designed for use in open, easily accessible areas!)). WINSTA® RD: Solutions from this product line are suitable for drill holes and conduits with diameters up to 20 mm. Of course, the safety of buildings must always be ensured, even after the electrical installation has been performed. The mandatory safety requirements in connection with EU CPR are met by this product through fire class E. Eliminating halogens as an additive in the production of this cable assembly noticeably increases fire safety and minimises environmental pollution.

Fast, secure pluggable connections – cable assemblies from WAGO

The cable is pre-assembled with a RD socket and a MIDI plug. The WINSTA® Pluggable Connection System allows pluggable electrical installation. This saves time, lowers costs, and reduces the need for servicing. Choose durability and quality – with strain relief hosting from WAGO makes the electrical installation of electrical components noticeably easier.

- pluggable installation connectors with protection against mismatching
- saves time, since no wiring is required at the construction site
- with S coding for use in components such as motors or frequency converters
- custom-engineered solutions
- rapid, structured electrical installation

Notes	
Note	Cables with a different fire class can be found in the eShop.

Electrical data				
Ratings per	IEC/EN 60664-1			General information
Overvoltage category	III	III	II	Note on contact resistance approx. 1 mΩ of contact resistance approx. 0.25 mΩ contact transition plug/ socket
Pollution degree	3	2	2	
Nominal voltage	250 V	-	-	
Rated impulse withstand voltage	4 kV	-	-	
Rated current	16 A	-	-	

Connection Data		Connection 1	
Total number of potentials	3	Pole number	3
		Wire cross-section	1.5 mm²
		Connection type	RD socket - MIDI plug

Physical data	
Width	27 mm / 1.063 inches
Height	17.5 mm / 0.689 inches
Total length	2 m

Mechanical data	
Use	Switching function
Coding	S
Variable coding	No
Marking	1 2 L
Potential marking	L 2 1
Mating force of a plug-in connection	Approx. 30 ... 70 N (depending on pole number)
Retention force of a plug-in connection	when locked: > 80N
Unmating force of a plug-in connection	Unlocked: approx. 30 ... 70 N (depending on pole number)
Number of mating cycles	200, without resistive load
Connection type	RD socket - MIDI plug
Type of pre-assembled cable	Adapter cable

Mechanical data

Cable type	H05Z1Z1-F 3x1.5
Protection type	IP20; When mated: IP2xC (These compact connectors are not designed for use in open, easily accessible areas!)

Plug-in connection

Mismating protection	Yes
Note on mismating protection	All WINSTA® components are 100% protected against mismating when: a.) plugging different numbers of poles b.) plugging while incorrectly rotated c.) plugging while laterally staggered
Locking of plug-in connection	Locking lever

Material data

Note (material data)	Information on material specifications can be found here
Color	brown
Insulation material (main housing)	Polyamide (PA66)
Fire class per EN 50575	E _{ca}
Contact material	Copper or copper alloy; surface-treated
Contact Plating	Tin
Fire load	58.957 MJ
Connector color	brown
Strain relief color	black
Sheathed cable color	black
Printing color of sheathed cable	white
Halogen-free	Yes
Silicon-free	Yes
Sheath material	Halogen-free
Rubber cable	No
Weight	209.7 g
Copper weight of the raw cable	0.043 kg/m

Environmental requirements

Processing temperature	-5 ... +40 °C
Continuous operating temperature	-35 ... +85 °C
Note on continuous operating temperature	Cable for temperatures ≤ 70 °C (including halogen-free) Insulating parts for temperatures ≤ 105 °C

Commercial data

Product Group	20 (Winsta)
PU (SPU)	1 pcs
Packaging type	unpacked
Country of origin	DE
GTIN	4050821489542
Customs tariff number	85444290900

Product Classification

UNSPSC	26121629
eCl@ss 10.0	27-44-06-04
eCl@ss 9.0	27-44-06-04
ETIM 9.0	EC002587
ETIM 10.0	EC002587
ECCN	NO US CLASSIFICATION

Environmental Product Compliance

RoHS Compliance Status	Compliant, No Exemption
------------------------	-------------------------

Approvals / Certificates

General approvals **Declarations of conformity and manufacturer's declarations**



Approval	Standard	Certificate Name
CCA DEKRA Certification B.V.	EN 61535	NTR NL-7969
CCA DEKRA Certification B.V.	EN 61984	NTR NL-7848
KEMA/KEUR DEKRA Certification B.V.	EN 61535	71-123229
KEMA/KEUR DEKRA Certification B.V.	EN 61984	71-114944

Approval	Standard	Certificate Name
EU-Declaration of Confor- mity WAGO GmbH & Co. KG	-	-
UK-Declaration of Confor- mity WAGO GmbH & Co. KG	-	-

Downloads

Environmental Product Compliance

Compliance Search

Environmental Product Compliance 774-9973/1516-205	↓
---	---

Documentation

Bid Text

774-9973/1516-205	19.02.2019	xml 2.97 KB	↓
774-9973/1516-205	19.02.2015	doc 24.00 KB	↓

CAD/CAE-Data

CAE data

WSCAD Universe
774-9973/1516-205



1 Compatible Products

1.1 Required Accessories

1.1.1 Cover

1.1.1.1 Cover



Item No.: 770-360

Lockout cap; for plugs; 5-pole; separable; yellow

1.1.2 Locking system

1.1.2.1 Locking system



Item No.: 770-101

Locking lever; for flying leads; for manual operation; black



Item No.: 770-121

Locking lever; for flying leads; for manual operation; white



Item No.: 770-111

Locking lever; for flying leads; for tool operation; black



Item No.: 770-131

Locking lever; for flying leads; for tool operation; white

1.2 Optional Accessories

1.2.1 Coding

1.2.1.1 Coding



Item No.: 770-401

Coding pin; for plugs; Plastic; gray