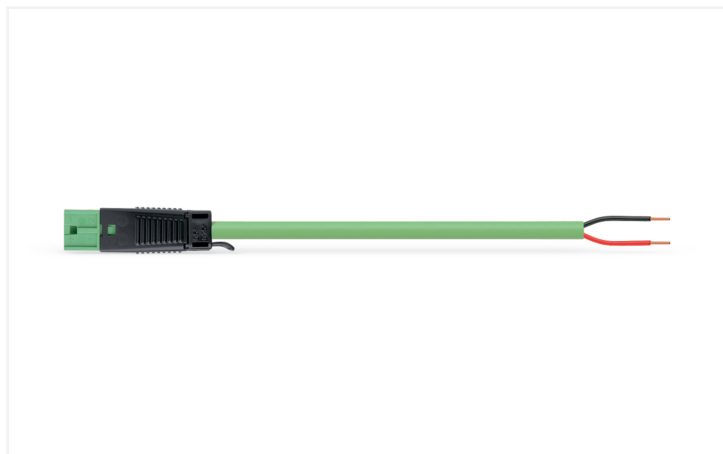


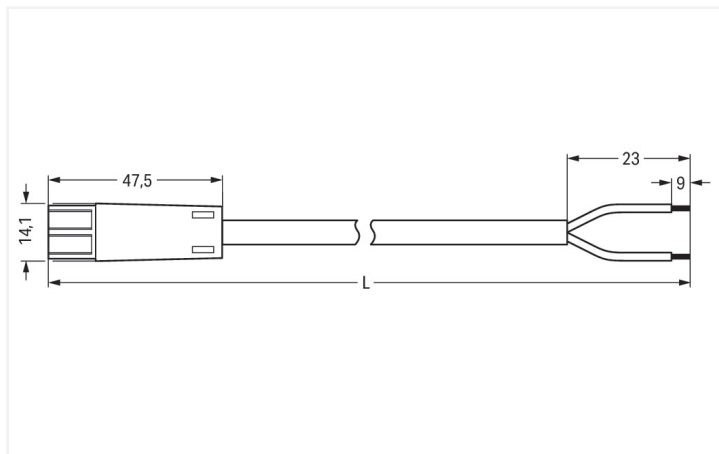
Data Sheet | Item Number: 894-8992/233-106

pre-assembled connecting cable; Eca; Plug/open-ended; 2-pole; Cod. E; J-Y(ST)
Y..LG 2x2x0.8; 1 m; green

<https://www.wago.com/894-8992/233-106>



Color: ■ green



Dimensions in mm

Cable assembly WINSTA® KNX E coding

Use effective pluggable connections instead of laborious screw connections: With the WINSTA® KNX cable assembly with protection type IP20. Our pluggable installation connectors with spring pressure connection technology function entirely without screw connections. They allow resource-efficient, error-free installation in numerous possible uses. The coding options reduce installation errors, allowing fast, maintenance-free wiring of all components. The pluggable installation connector offers touch-proof protection with live components in accordance with protection type IP20 (Only when mated and secured with a strain relief housing (These compact connectors are not designed for use in open, easily accessible areas.)). The harmonised KNX interface represents a manufacturer-independent communication protocol for intelligently networking state-of-the-art home and building system technologies. WINSTA® KNX pluggable installation connectors with E coding are primarily used in KNX applications. According to the European CPR, the fire class of the cables used for construction is critical for the safety of buildings as well. For buildings with medium-level safety requirements, cable assemblies with fire class E are suitable.

Fast, secure pluggable connections – cable assemblies from WAGO

A plug and a free end are provided. The WINSTA® Pluggable Connection System is perfectly tailored to the very strict requirements of building installation. It makes electrical installation pluggable, and consequently more efficient, even more reliable, and error-free. Use of this pre-assembled system decreases time spent on assembly and installation errors at the construction site. Now you can also lower installation expenses without compromising safety and quality: with protection type IP20 eliminates the need for servicing and prevents unnecessary downtime.

- saves time, since no wiring is required at the construction site
- with E coding for supplying auxiliary power to I/O devices
- custom-engineered solutions
- convenient installation and commissioning

Notes

Note

Cables with a different fire class can be found in the eShop.

Electrical data

Ratings per	IEC/EN 60664-1			General information	
Overvoltage category	III	III	II	Note on contact resistance	Approx. 3 mΩ contact resistance
Pollution degree	3	2	2		
Nominal voltage	50 V	-	-		
Rated impulse withstand voltage	0.8 kV	-	-		
Rated current	3 A	-	-		

Connection Data

Total number of potentials	2	Connection 1	
Conductor preparation	stripped	Conductor diameter	0.8 mm
		Strip length	9 mm / 0.35 inches
		Pole number	2
		Strip length (outer insulation)	23 mm
		Connection type	Plug - free end

Physical data

Width	14.1 mm / 0.555 inches
Height	11.1 mm / 0.437 inches
Total length	1 m

Mechanical data

Technology	KNX
Coding	E
Variable coding	No
Marking	1+ 2-
Potential marking	1+ 2-
Mating force of a plug-in connection	Approx. 10 ... 15 N
Retention force of a plug-in connection	when locked: > 80N
Unmating force of a plug-in connection	Unlocked: approx. 15 ... 20 N
Number of mating cycles	200
Connection type	Plug - free end
Type of pre-assembled cable	Connecting cable
Cable type	UNITRONIC BUS EIB 2x2x0.8
Protection type	IP20; Only when mated and secured with a strain relief housing (These compact connectors are not designed for use in open, easily accessible areas.)

Plug-in connection

Mismating protection	Yes
Note on mismating protection	All WINSTA® components are 100% protected against mismating when: a.) plugging different numbers of poles b.) plugging while rotated 180 c.) plugging while laterally staggered d.) plugging one pole

Material data

Note (material data)	Information on material specifications can be found here
Color	green
Insulation material (main housing)	Polyamide (PA66)
Fire class per EN 50575	E _{ca}
Contact material	Copper alloy; surface-treated
Contact Plating	Tin
Fire load	30.051 MJ
Connector color	green
Strain relief color	black
Sheathed cable color	green
Printing color of sheathed cable	black
Halogen-free	No
Silicon-free	Yes
Sheath material	PVC
Rubber cable	No
Weight	59.5 g
Copper weight of the raw cable	0.025 kg/m

Environmental requirements

Processing temperature	-5 ... +40 °C
Continuous operating temperature	-35 ... +85 °C
Note on continuous operating temperature	Cable for temperatures ≤ 70 °C (including halogen-free) Insulating parts for temperatures ≤ 105 °C

Commercial data

PU (SPU)	1 pcs
Packaging type	unpacked
Country of origin	PL
GTIN	4055143287661
Customs tariff number	85444290900

Product Classification

UNSPSC	26121629
eCl@ss 10.0	27-44-06-04
eCl@ss 9.0	27-44-06-04
ETIM 9.0	EC002587
ETIM 10.0	EC002587
ECCN	NO US CLASSIFICATION

Environmental Product Compliance

RoHS Compliance Status	Compliant, No Exemption
------------------------	-------------------------

Downloads

Environmental Product Compliance



Compliance Search

Environmental Product
Compliance
894-8992/233-106



Documentation

Bid Text

894-8992/233-106	08.01.2015	doc 25.00 KB	
894-8992/233-106	19.02.2019	xml 2.97 KB	

CAD/CAE-Data

CAE data

WSCAD Universe
894-8992/233-106

