



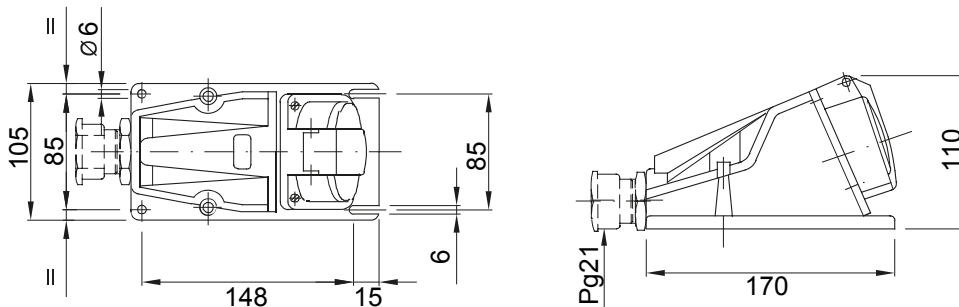
A range of trailing and fixed plugs and socket-outlets for industrial use, complying with the dimensional and performance standards unified at International level (IEC 60309) and assimilated by the European Standards (EN 60309) and Italian Standards (CEI 23-12). Socket-outlets and plugs with a rated current of 63 and 125A are equipped with an extra pilot contact (CP) for creating an electric interlock. The range is completed with 90° fixed plugs and 10° and 90° fixed socket-outlets. Sleeves and pins are obtained from solid brass bar, type Pt. CuZn40Pb2 (Cu 58%, Zn 40%, Pb 2%); anti-loosening terminals with unlosable screws, and built-in cable clamp with anti-abrasion cable gland

Kleur	Geel	Nominale stroom (A)	32
IP waarde	IP44	Aant. polen	3P+E
Mechanische weerstand	IK08	Referentie h	4
Nominale spanning	100 - 130 V	Type	90° haakse wandcontactdoos voor opbouwmontage
Frequentie	50/60 Hz	Klem aandraaicapaciteit	2,5-6 mm <sup>2</sup> flexibele kabels - 2,5-10 mm <sup>2</sup> stijve kabels
Bedrijfstemperatuur	-25 +55 °C	Soort bedrading	Met schroeven
Electrocod	2210	Gloeidraadtest	850 °C (actieve onderdelen) - 650 °C (passieve onderdelen)
Totaal aantal activiteiten	> 2000	Toegestane overbelasting	42 A
Breekcapaciteit bij 1,1 Un	40 A	Isolati weerstand	> 10 MΩ
Thermodruk met kogel	125 °C (actieve onderdelen) - 80 °C (passieve onderdelen)		

#### BEHAVIOUR WITH CHEMICAL AND ATMOSPHERIC AGENTS

Saline solution	Acids		Bases		Solvents				Mineral oil	UV rays
	Concentrated	Diluted	Concentrated	Diluted	Hexane	Benzol	Acetone	Alcohol		
Resistant	Not resistant	Limited resistance	Limited resistance	Resistant	Resistant	Resistant	Resistant	Resistente	Resistant	Resistant

#### DIMENSIONAL



#### TECHNICAL SYMBOLOGY

IP

IP44

IK

IK08



-25 +55 °C



Met schroeven

GWT

850 °C (actieve onderdelen) - 650 °C (passieve onderdelen)



125 °C (actieve onderdelen) - 80 °C (passieve onderdelen)

#### STANDARDS/APPROVALS



GEWISS S.p.A. Via Domenico Bosatelli 1  
24069 Cenate Sotto - Bergamo - Italy  
tel. +39 035 94 61 11 fax +39 035 94 69 09

www.gewiss.com  
sat@gewiss.com  
Last update 10/03/2026

Data, measures, designs and pictures are shown only as informative purposes, and could be changed without previous notice