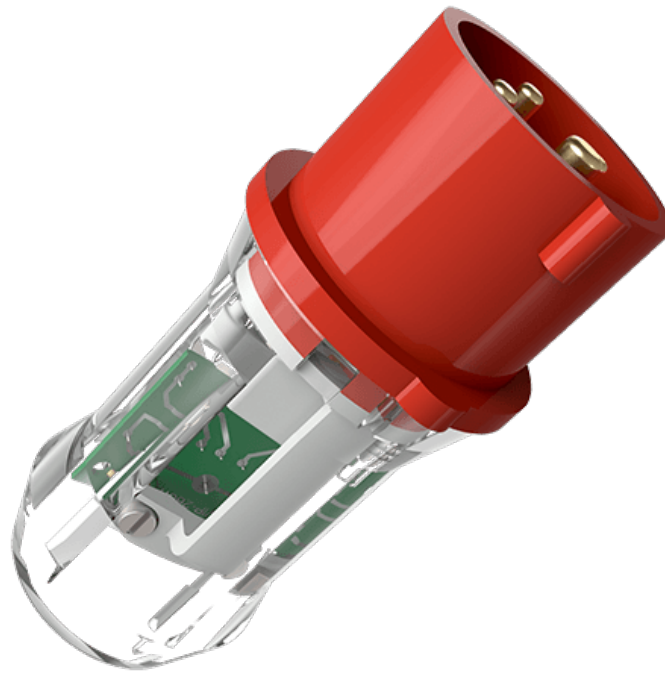


# Phase sequence test plug

Part number: 3718



**MENNEKES**  
Elektrotechnik GmbH & Co. KG

Aloys-Mennekes-Straße 1  
57399 Kirchhundem  
GERMANY

[www.MENNEKES.org](http://www.MENNEKES.org)

# Product Description

- to VDE 0413, part 7, DIN-EN 61557-7

## Technical Details

<b>Phase sequence test plug</b>	<b>3718</b>
Ampere	32A
Number of poles	4p
Clock position	3h
Nominal voltage AC	380 - 440V
Nominal frequency	50 - 60 Hz
Protection type IP	IP44
Contact carrier	standard
Connection	without connection
Contact screw drive	PZ2, slot
Recommended wire end treatment for supply cable connection terminal	no ferrule treatment
Phase inverter	without phase inverter
Pilot contact	without pilot contact
Cable kink protection	without cable kink protection
Protective grommet	without protective grommet
Protective cap	without protective cap
Weight (net)	214 g
Packaging unit	5 pcs
EAN / identification number	4015394021155

### Permissible ambient conditions

	Min.	Max.
Permanent ambient temperature	-25 °C	40 °C

### Material properties

Cover	PC crystal clear [no RAL colour code]
Front part	PA6 red [similar RAL 3013]

### Material resistance

The material resistance overview can be found on the website in the section “Knowledge” - “Product knowledge” - “Materials”.

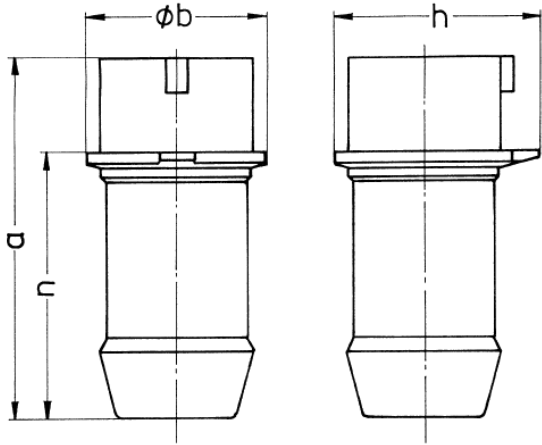
### Material and environmental properties

RoHS 2011/65/EU incl. 2015/863/EU	✓
POP regulation (EU) 2019/1021	✓

### Regulations and Standards

Norm	DIN EN IEC 60309-2
Declaration of Conformity	CE
Test label	EAC, CQC

# Dimensional Drawing



Drawing	Amp. Poles	16		32		63	
		4	5	4	5	4	5
2 MB 140							
Dim. in mm	a	126	129	145	145	211	211
	b	60	65	66	74	100	100
	h	62	69	71	80	100	100
	n	90	93	99	99	145	145