

Phase sequence test plug

Part number: 3420



MENNEKES
Elektrotechnik GmbH & Co. KG

Aloys-Mennekes-Straße 1
57399 Kirchhundem
GERMANY

www.MENNEKES.org

Product Description

- to VDE 0413, part 7, DIN-EN 61557-7

Technical Details

| | |
|---|-------------------------------|
| Phase sequence test plug | 3420 |
| Ampere | 63A |
| Number of poles | 4p |
| Clock position | 9h |
| Nominal voltage AC | 230V |
| Nominal frequency | 50 - 60 Hz |
| Protection type IP | IP44 |
| Contact carrier | standard |
| Connection | without connection |
| Contact screw drive | PZ2, slot |
| Recommended wire end treatment for supply cable connection terminal | no ferrule treatment |
| Phase inverter | without phase inverter |
| Pilot contact | 1 pilot contact |
| Cable kink protection | without cable kink protection |
| Protective grommet | without protective grommet |
| Protective cap | without protective cap |
| Weight (net) | 612 g |
| Packaging unit | 5 pcs |
| EAN / identification number | 4015394143345 |

Permissible ambient conditions

| | Min. | Max. |
|-------------------------------|--------|-------|
| Permanent ambient temperature | -25 °C | 40 °C |

Material properties

| | |
|------------|---------------------------------------|
| Cover | PC crystal clear [no RAL colour code] |
| Front part | PC blue [similar RAL 5007] |

Material resistance

The material resistance overview can be found on the website in the section “Knowledge” - “Product knowledge” - “Materials”.

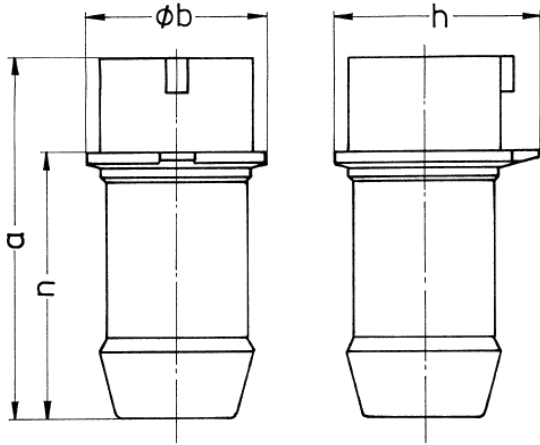
Material and environmental properties

| | |
|-----------------------------------|---|
| RoHS 2011/65/EU incl. 2015/863/EU | ✓ |
| POP regulation (EU) 2019/1021 | ✓ |

Regulations and Standards

| | |
|---------------------------|--------------------|
| Norm | DIN EN IEC 60309-2 |
| Declaration of Conformity | CE |
| Test label | CQC |

Dimensional Drawing



| Drawing | Amp. Poles | 16 | | 32 | | 63 | |
|------------|---------------|-----|-----|-----|-----|-----|-----|
| | | 4 | 5 | 4 | 5 | 4 | 5 |
| 2 MB 140 | | | | | | | |
| Dim. in mm | a | 126 | 129 | 145 | 145 | 211 | 211 |
| | b | 60 | 65 | 66 | 74 | 100 | 100 |
| | h | 62 | 69 | 71 | 80 | 100 | 100 |
| | n | 90 | 93 | 99 | 99 | 145 | 145 |