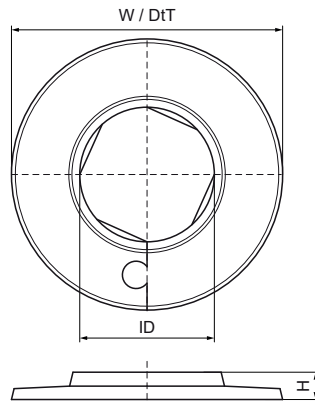


Walraven Rosette

(02005)

finishing of pipe apertures



Features & benefits

- one-part rosette
- for finishing of pipe apertures
- material: PP (polypropylene), white (according to RAL 9016)

Product Number	Inner Diameter	Total Height	Total Width	Total Depth
<i>Reference letter</i>	<i>ID</i>	<i>H</i>	<i>W</i>	<i>DtT</i>
<i>Unit description</i>	<i>mm</i>	<i>mm</i>	<i>mm</i>	<i>mm</i>
0671412	12	12	50	50
0671415	15	12	55	55
0671418	18	12	55	55
0671422	22	12	55	55
0671428	28	12	55	55
0671435	35	12	65	65