

Plug PowerTOP Xtra R

Part number: 13240



MENNEKES
Elektrotechnik GmbH & Co. KG

Aloys-Mennekes-Straße 1
57399 Kirchhundem
GERMANY

www.MENNEKES.org

Product Description

- economic enclosure design with nubbed grip areas
- enclosure with thread lock and safety slide
- rubberised bayonet ring
- highly heat resistant contact carrier, nickel plated contacts
- frame terminals
- protection against kinking
- strain relief
- rubberised cable gland with sealing

Technical Details

| Plug PowerTOP Xtra R | 13240 |
|---|---|
| Product serie | PowerTOP Xtra R |
| Ampere | 63A |
| Number of poles | 3p |
| Clock position | 3h |
| Nominal voltage DC | 50 - 250V |
| Protection type IP | IP67 |
| Contact carrier | highly heat resistant contact carrier, nickel plated contacts |
| Connection | frame terminals |
| Contact screw drive | PZ2, slot |
| Tightening torque connection terminal | 2 Nm |
| Recommended wire end treatment for supply cable connection terminal | usable with and without ferrule |
| Strip length jacket | 80 mm |
| Strip length conductor | 18 mm |
| Phase inverter | without phase inverter |
| Pilot contact | 1 pilot contact |
| Conductor cross-section min. | 6 mm ² |
| Conductor cross-section max. | 16 mm ² |
| Cable kink protection | integrated in cable gland |
| Protective grommet | without protective grommet |
| Protective cap | without protective cap |
| Weight (net) | 772 g |
| Packaging unit | 5 pcs |

| | |
|-----------------------------|---------------|
| Plug PowerTOP Xtra R | 13240 |
| EAN / identification number | 4015394238676 |

Permissible ambient conditions

| | Min. | Max. |
|-------------------------------|--------|-------|
| Permanent ambient temperature | -25 °C | 40 °C |

Material properties

| | |
|--------------|---|
| Cover | PBT/PC squirrel grey [similar RAL 7000] |
| | TPE anthracite [similar RAL 7016] |
| Front part | PBT/PC squirrel grey [similar RAL 7000] |
| | TPE black [similar RAL 9005] |
| Bayonet ring | PBT/PC squirrel grey [similar RAL 7000] |
| | TPE anthracite [similar RAL 7016] |
| Clamp basket | PBT/PC black [similar RAL 9005] |
| | TPE natural colour [no RAL colour code] |
| Fastening | PBT/PC squirrel grey [similar RAL 7000] |
| | TPE anthracite [similar RAL 7016] |

Material resistance

The material resistance overview can be found on the website in the section “Knowledge” - “Product knowledge” - “Materials”.

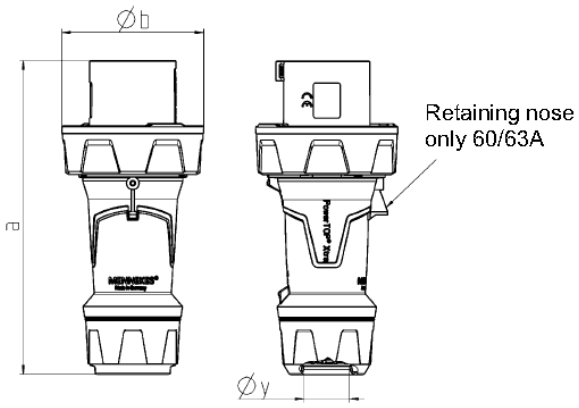
Material and environmental properties

| | |
|-----------------------------------|---|
| RoHS 2011/65/EU incl. 2015/863/EU | ✓ |
| POP regulation (EU) 2019/1021 | ✓ |

Regulations and Standards

| | |
|---------------------------|-------------------------|
| Norm | DIN EN IEC 60309-2 |
| Declaration of Conformity | CE |
| Test label | CB Zertifikat, VDE, EAC |

Dimensional Drawing



| Drawing | Amp. | 63 | | | 125 | | |
|--------------------------------------|-------|-----|-----|-----|-----|-----|-----|
| | | 3 | 4 | 5 | 3 | 4 | 5 |
| 2 MB 225 | Poles | | | | | | |
| Dim. in mm | a | 250 | 250 | 250 | 290 | 290 | 290 |
| | b | 114 | 114 | 114 | 130 | 130 | 130 |
| | y | 36 | 36 | 36 | 49 | 49 | 49 |
| Terminal for cond. cross | | 6 | 6 | 6 | 25 | 25 | 25 |
| section (mm ²) min.-max. | | -16 | -16 | -16 | -50 | -50 | -50 |