



Tissue holder - Matte Black

SERIES SPECIFIC

83 500 976 Product version from 4/1/2024





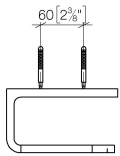
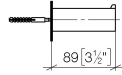
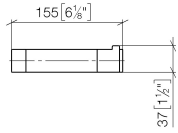
Tissue holder - Matte Black

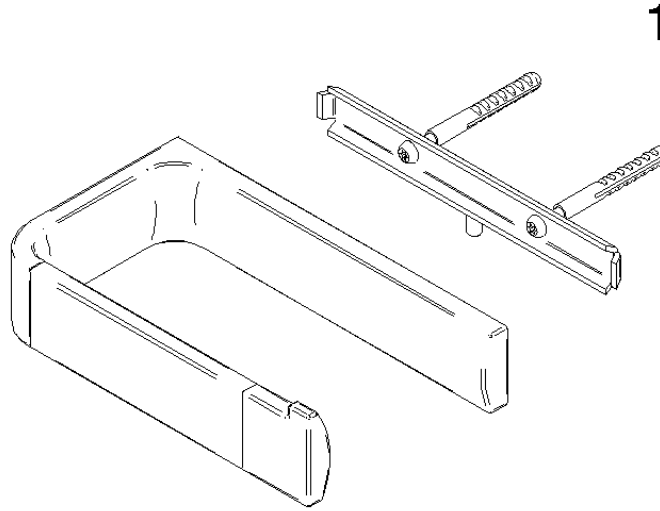
SERIES SPECIFIC

83 500 976 Product version from 4/1/2024

83 500 976 Product version from 4/1/2024

mm [inches]





Spare parts list

No.	Item Number	Name	Quantity used	Delivery time
1	90 30 30 244 00 90	Attachment set -	1.00	14