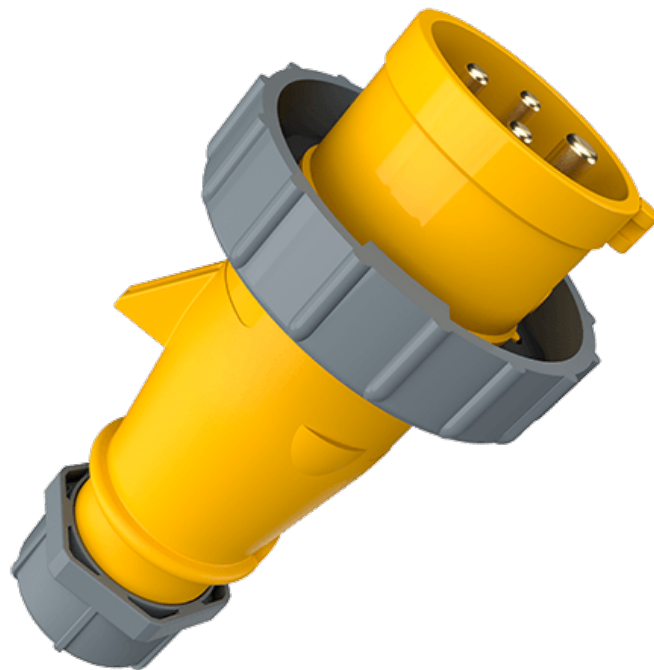


Plug AM-TOP

Part number: 292



MENNEKES
Elektrotechnik GmbH & Co. KG

Aloys-Mennekes-Straße 1
57399 Kirchhundem
GERMANY

www.MENNEKES.org

Product Description

- screw connection technology
- single part body
- protection against kinking
- strain relief
- cable gland and sealing

Technical Details

Plug AM-TOP	292
Product serie	AM-TOP
Ampere	32A
Number of poles	4p
Clock position	4h
Nominal voltage AC	110V
Nominal frequency	50 - 60 Hz
Protection type IP	IP67
Contact carrier	standard
Connection	screw terminals
Contact screw drive	PZ2, slot
Tightening torque connection terminal for cable cross-section 2,5 - 4,0 mm ²	0.8 Nm
Tightening torque connection terminal for cable cross-section 6,0 mm ²	1.2 Nm
Recommended wire end treatment for supply cable connection terminal	ferrule square gasproof crimped
Strip length jacket	50 mm
Strip length conductor	12 - 17 mm
Phase inverter	without phase inverter
Pilot contact	without pilot contact
Conductor cross-section min.	2.5 mm ²
Conductor cross-section max.	6 mm ²
Cable kink protection	integrated in cable gland
Protective grommet	without protective grommet
Protective cap	without protective cap
Weight (net)	320 g

Plug AM-TOP	292
Packaging unit	10 pcs
EAN / identification number	4015394002055

Permissible ambient conditions		
	Min.	Max.
Permanent ambient temperature	-25 °C	40 °C

Material properties	
Housing	PA6 yellow [similar RAL 1021]
Bayonet ring	PC/PET squirrel grey [similar RAL 7000]
Clamp basket	PA6 natural colour [no RAL colour code]
	TPE natural colour [no RAL colour code]
Fastening	PA6 squirrel grey [similar RAL 7000]

Material resistance

The material resistance overview can be found on the website in the section “Knowledge” - “Product knowledge” - “Materials”.

Material and environmental properties	
RoHS 2011/65/EU incl. 2015/863/EU	✓
POP regulation (EU) 2019/1021	✓

Regulations and Standards	
Norm	DIN EN IEC 60309-2
Declaration of Conformity	CE
Test label	EAC, CQC

Dimensional Drawing



Drawing 2 MB 218	Amp. Poles	16			32		
		3	4	5	3	4	5
Dim. in mm	a	142	144	147	186	186	180
	b	70	78	87	94	94	101
	n	109	111	114	145	145	138
	y	14.5	16	16	22	22	22
Terminal for cond. cross		1	1	1	2.5	2.5	2.5
section (mm ²) min.-max.		-2.5	-2.5	-2.5	-6	-6	-6