



### Features

- Premium performance professional LED MR16 range with the same look and feel of traditional halogen MR16 lamp. Recreates backlight effect similar to halogen dichroic lamps. Full glass design - means no colours clashing between lamp and fixture. Very long lifetime of up to 25,000 hours. Switching cycles: >100,000. Colour rendering: CRI80. Lamp voltage: 12V AC/DC. Warranty: 5 Years

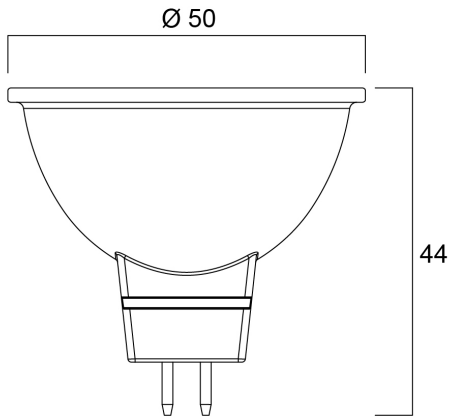
### Product Overview

Product name	RefLED Superia Retro MR16 V3 380LM 840 36 SL
Technology	LED
Watt (Rated) (W)	4.3
Lamp shape	Reflector
Cap/Base	GU5.3
Lamp finish	Fresnel lens
Fixture rating	Open
General application	Education, Hospitality, Museums & Galleries, Residential & Consumer, Retail
ETIM Class	EC001959
Correlated colour temperature (k)	4000
Light colour	Cool White
CRI (Ra)	80
Colour Variation Initial (SDCM)	6
Beam Angle (°)	36
Photobiological Risk Group	RG1
Wattage (W)	4.3
Power consumption (W)	4.3

## RefLED Superia Retro MR16 V3 380LM 840 36 SL 0031804

Control gear type	LED driver constant current
Dimmable	No
Housing colour	Transparent
IP rating	IP20
Product EAN number	5410288318042
Warranty	3 years
Dimming method	N/A
Useful luminous flux (#use)	380

### Technical drawings



### Data table

#### GENERAL DATA

Product name	RefLED Superia Retro MR16 V3 380LM 840 36 SL
Technology	LED
Watt (Rated) (W)	4.3
Lamp shape	Reflector
Cap/Base	GU5.3
Lamp finish	Fresnel lens
Fixture rating	Open

## RefLED Superia Retro MR16 V3 380LM 840 36 SL 0031804

<b>General application</b>	Education, Hospitality, Museums & Galleries, Residential & Consumer, Retail
<b>ETIM Class</b>	EC001959
<b>Warranty</b>	3 years

### OPTICAL DATA

<b>Useful luminous flux (#use)</b>	380
<b>Correlated colour temperature (k)</b>	4000
<b>Light colour</b>	Cool White
<b>CRI (Ra)</b>	80
<b>Colour Variation Initial (SDCM)</b>	6
<b>Luminous Intensity (cd)</b>	730
<b>Beam Angle (°)</b>	36
<b>Photobiological Risk Group</b>	RG1

### ELECTRICAL DATA

<b>Power consumption (W)</b>	4.3
<b>Wattage (W)</b>	4.3
<b>Equivalent watt (W)</b>	35
<b>Current (A)</b>	0.55
<b>Primary Supply/Product voltage - min (V)</b>	12.0
<b>Primary Supply/Product voltage - max (V)</b>	12.0
<b>Control gear required</b>	Yes
<b>Control gear type</b>	LED driver constant current
<b>No. Of switching cycles before premature failures</b>	>50000
<b>Dimmable</b>	No
<b>Dimming method</b>	N/A
<b>Inrush Current (A)</b>	3.96
<b>Inrush Duration (µs)</b>	1200
<b>Lamp Energy Label (class)</b>	F
<b>Nominal Frequency (Hz)</b>	DC

### LIFETIME DATA

## RefLED Superia Retro MR16 V3 380LM 840 36 SL 0031804

Lifespan L70 B50	25000
------------------	-------

### PHYSICAL DATA

Housing colour	Transparent
IP rating	IP20
Nominal Product Height (mm)	44
Nominal Product Diameter (mm)	50
Weight (kg)	0.032

### PACKAGING

Product EAN number	5410288318042
Packaging single length / height (cm)	6.1
Packaging single width (cm)	5.1
Packaging single depth (cm)	8.2
DUN14 (inner)	15410288318049
Units per inner package	6
Packaging inner length / height (cm)	19.4
Packaging inner width (cm)	11.1
Packaging inner depth (cm)	9.2
DUN14 (outer)	25410288318046
Units per outer package	60
Packaging outer length / height (cm)	58.5
Packaging outer width (cm)	20.8
Packaging outer depth (cm)	20.8

### SAFETY DATA

Breakage cleaning instructions	Not applicable
Special purpose lamp	No
Dry applications use only	Yes
Suitable for household illumination	Yes
Safety message	Not Suitable for totally enclosed fixtures

# SYLVANIA

RefLED Superia Retro MR16 V3 380LM 840 36 SL  
0031804

## Energy label



0031804



5  
kWh/1000h



2019/2015



0031804



5  
kWh/1000h



2019/2015